



Programmable Limit Alarm Trips

SPA²

User's Manual

All product names are registered trademarks of their respective companies.



Demand Moore Reliability

Customer Support

Moore Industries is recognized as the industry leader in delivering top quality to its customers in products and services. We perform a sequence of stringent quality assurance checks on every unit we ship. If any Moore Industries product fails to perform up to rated specifications, call us for help. Our highly skilled staff of trained technicians and engineers pride themselves on their ability to provide timely, accurate, and practical answers to your process instrumentation questions. Our headquarters and other facilities phone numbers are listed below.

There are several pieces of information that can be gathered before you call the factory that will help our staff get the answers you need in the shortest time possible. For fastest service, gather the complete model and serial number(s) of the problem unit(s) and the job number of the original sale.

Locations

World Headquarters

16650 Schoenborn Street
North Hills, California
91343-6196, U.S.A.
Tel: (818) 894-7111
Fax: (818) 891-2816
E-mail: info@miinet.com
TOLL FREE: 1-800-999-2900
www.miinet.com

Europe

1 Lloyds Court, Manor Royal,
Crawley
W. Sussex RH10-9QU
United Kingdom
Tel: 01293 514488
Fax: 01293 387752
FREE PHONE: 0800 525107
sales@mooreind.com
www.miinet.com/uk

Australia

Sydney, NSW
3/1 Resolution Drive
Caringbah, New South Wales
2229
Australia
Tel: (02) 8536-7200
Fax: (02) 9525-7296
sales@mooreind.com.au
www.miinet.com/au

China

Room 102, No. 101,
Lane 1058,
Xinzhen Street, Xinqiao Town
Songjiang District,
Shanghai, 201612, P. R. China
Tel: 86-21 62491499
Fax: 86-21 62490635
E-mail: sales@mooreind.sh.cn
www.miinet.com

Benelux

Kontichsesteenweg 38A A01
2630 Aartselaar
Belgium
Tel: 03/448.10.18
Fax: 03/440.17.97
info@mooreind.be
www.miinet.com/dbc

Perth, Western Australia
TOLL FREE: 1-800-784-899
sales@mooreind.com.au
www.miinet.com/au



www.miinet.com

Safety Messages

Please read this manual in its entirety. It should answer most of your questions. For personal and system safety, and for optimum product performance, make sure you thoroughly understand the contents before installing, using, or maintaining this product. Should you still have questions please visit our web site at www.miinet.com or contact any of our sales/support offices nearest you.

Your safety and the safety of others is very important. We have provided many important safety messages in this manual. Please read these messages carefully. These safety messages alert you to potential hazards that could hurt you or others or render damage to units.

All Moore Industries instrumentation should only be used for the purpose and in the manner described in this manual. If you use this product in a manner other than that for which it was intended, unpredictable behavior could ensue with possible hazardous consequences.

Each safety message is associated with a safety alert symbol. These symbols are found in the throughout the manual. The definition of these symbols is described below:

Pay particular attention wherever you see the following symbols:



Note – Information that is helpful for a procedure, condition or operation of the unit.



Caution – Hazardous procedure or condition that could damage or destroy the unit.



Warning – Hazardous procedure or condition that could injure the operator.

Qualified Personnel

The Moore Industries' product/systems described in this manual may be operated only by personnel qualified for the specific task in accordance with the relevant documentation, in particular its warning notices and safety instructions. Qualified personnel are those who, based on their training and experience, are capable of identifying risks and avoiding potential hazards when working with these Moore Industries' products/systems.

Proper use of Moore Industries products

Moore Industries' products may only be used for the applications described in the catalog and in the relevant technical documentation. If products and components from other manufacturers are used, these must be recommended or approved by Moore Industries'. Proper transport, storage, installation, assembly, commissioning, operation and maintenance are required to ensure that the products operate safely and without any problems. The permissible ambient conditions must be complied with. The information in the relevant documentation must be observed.

We have reviewed the contents of this publication to ensure consistency with the hardware and/or software described. Since variance cannot be precluded entirely, we cannot guarantee full consistency. However, the information in this publication is reviewed regularly and any necessary corrections are included in subsequent editions. Specifications and information are subject to change without notice.

All product and company names are trademarks™ or registered® trademarks of their respective holders. Use of them does not imply any affiliation with or endorsement by them unless otherwise specified.

Table of Contents

Section 1 - Introduction	8
Overview.....	8
Model Numbers and Options.....	8
Inputs.....	8
Outputs.....	9
Power.....	9
Options.....	9
Housing.....	9
Internal Settings.....	9
Alarm Terminology.....	10
Section 2 - Calibration and Bench Check	14
Calibration.....	14
Bench Check Procedure.....	15
Units with the Analog Output Option (-AO).....	17
Section 3 - Installation and Wiring	18
Mounting.....	18
CE Certification-related Guidelines.....	23
Contact/Load Suppression.....	23
Installation in Hazardous Locations.....	23
Special Conditions of Use.....	23
Section 4: Configuration Front Panel Pushbuttons	24
Main Menu/View Settings.....	25
Configuring the HLPRG Input.....	29
Configuring the TPRG Sensor.....	30
Configuring the Options.....	32
Scaling the Input.....	35
Applying Input (Bench Scaling).....	37
Input Trimming.....	38
Configuring the Analog Output (-AO Option).....	40
Scaling the Analog Output (-AO Option).....	41
Trimming the Analog Output (-AO Option).....	42
Configuring the Alarm(s).....	45
Password Configuration.....	57

System Information Menu.....	58
Section 5: SPA² PC Configuration Software	59
Installing the Configuration Software.....	59
Connecting the SPA ² to the PC.....	59
Selecting Model Type.....	60
PC Configuration Software Summary.....	62
Status and Tool Bar Legend.....	63
Configuration Screens.....	64
Input.....	64
Alarms.....	67
Analog Output.....	71
Scaling.....	75
Custom Curve.....	76
Section 6: Operation and Maintenance	78
Operation.....	78
Maintenance.....	78
Section 7: Specifications	80
SPA ² HLPRG Specifications.....	80
SPA ² TPRG Specifications.....	82
Section 8: Ordering Information	85
Ordering Information.....	85
Warranty Disclaimer	86

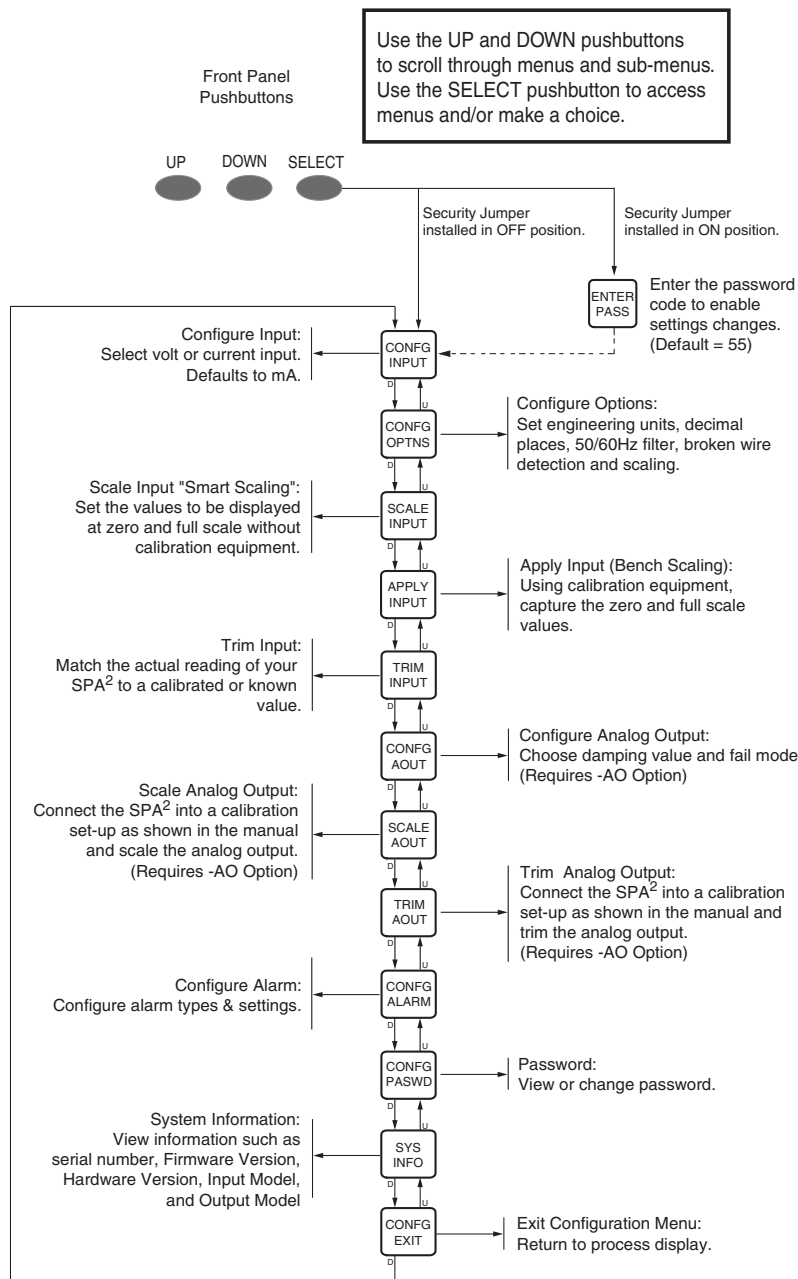
SPA² HLPARG Quickstart Guide

Use the front push-buttons to quickly and easily setup the SPA² for your application. After programming your alarm using the diagram below, install the unit into your application using the connection diagram and terminal designation table located in this manual.

Default/Factory Configuration

The following are the default factory settings for your unit.

Input mA, 4-20mA
 Display Normal Mode, PV
 60Hz Filter
 Broken wire enabled, level set to 0.1
 Running Average Filter set to 4
 All alarms set to Trip High at 12mA with Deadband set to 0
 All alarms range set to 4-20mA
 All alarms have OOR & Input Failure disabled
 All alarms are configured as Fail Safe, latching disabled, 0 delay
 AO (if fitted) : Current 4-20mA, fail high, hold duration of 1 second



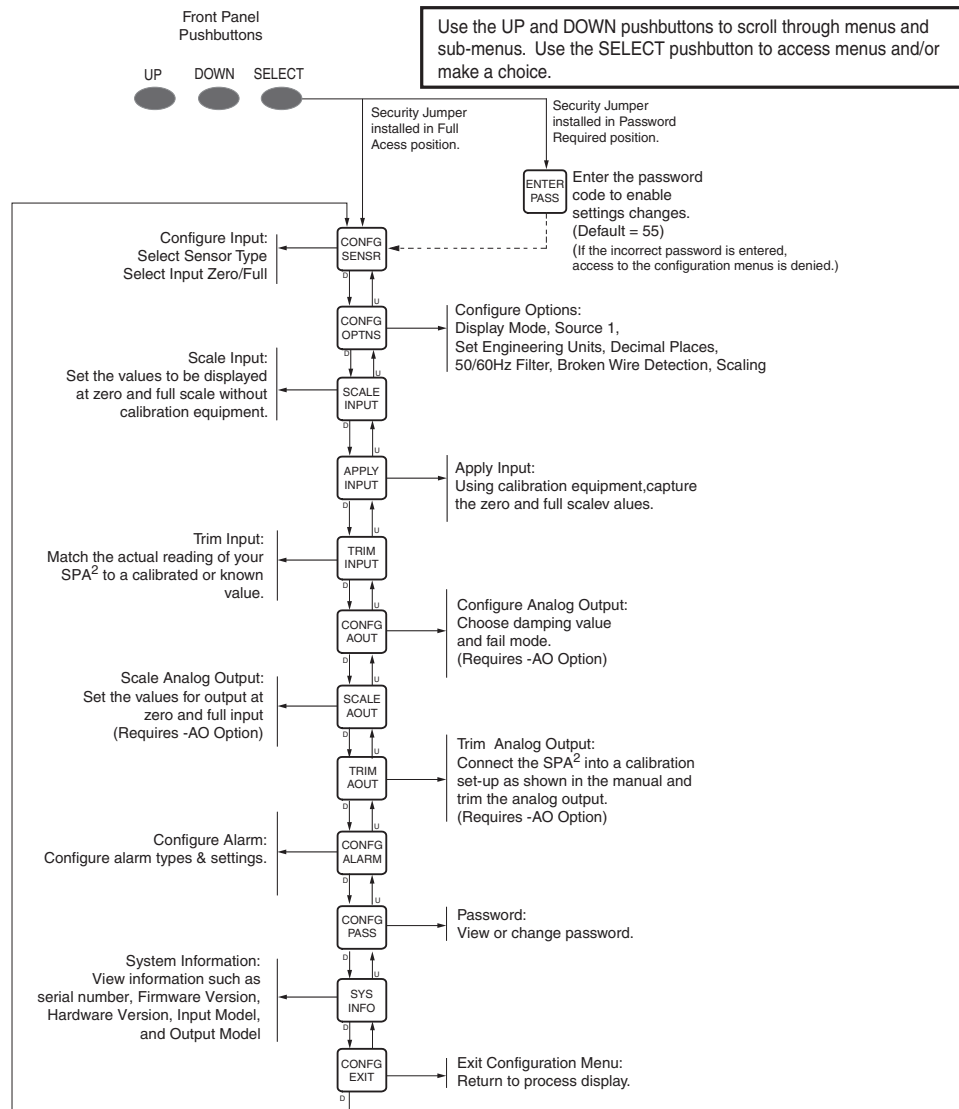
SPA² TPRG Quickstart Guide

Use the front pushbuttons to quickly and easily set-up the SPA² for your application. After programming your alarm using the diagram below, install the unit into your application using the connection diagrams and terminal designation table located in this manual.

Default/Factory Configuration

The following are the default factory settings for your unit.

Input 4W RTD, 0-100°C
 Display Normal Mode, PV, PT 3850
 60Hz Filter
 Broken wire enabled
 Running Average Filter set to 4
 All alarms set to Trip High at 50°C with Deadband set to 0
 All alarms range set to 0-100
 All alarms have OOR & Sensor Failure disabled
 All alarms are configured as Fail Safe, latching disabled, 0 delay
 AO (if fitted) : Current 4-20mA, fail high, hold duration of 1 second



Section 1 - Introduction

The SPA² Programmable Limit Alarm Trips provides on/off control, warns of unwanted process conditions, alarm on rate-of-change and provides emergency shutdown. Very versatile, they accept a signal input from transmitters, temperature sensors and a wide array of other monitoring and control instruments.

This manual contains information needed to install, operate and maintain this product.

Overview

This is the user's manual for Moore Industries' SPA² includes the two model types:

HLPRG (high level) - Programmable Current/Voltage Limit Alarm Trips.

TPRG (low level)- Programmable RTD, T/C, Ohms, mV and Potentiometer Limit Alarm Trips.

These instruments can be configured using front panel push buttons and/or a dedicated PC Configuration Program. The SPA² monitors a process variable and provides up to four, fully user configurable contact closure outputs that can be individually programmed to trip whenever the input falls outside a user-set high or low trip point. The SPA² is typically used to activate a warning light, bell or buzzer; or to initiate a system shutdown. Thus, the instrument acts as a simple, but highly reliable and effective means of monitoring and safe-guarding a process. Detailed information is highlighted within each section on the two models' features, functions, and configuration.

Model Numbers and Options

The following section provides details of the Moore Industries model number and the available options for the SPA².

Moore Industries model numbers for the SPA² are structured as follows

SPA2 / HLPRG / 4PRG / U / -AO [DIN]

Unit / Input / Output / Power / -Options [Housing]

Inputs

HLPRG - High Level Programmable. Programmable by the end-user to accept Current (at any range between 0-50mA) or Voltage (at any range between 0-10Vdc).

TPRG - Temperature Programmable. Programmable by the end-user to accept inputs from 23 RTD types, 9 Thermocouple types, Resistance and Potentiometer devices, and direct Millivolt sources. The SPA² (TPRG) also has the capability of dual and triple sensor inputs. This is beneficial when you choose to use and view either a differential or averaging RTD input and process variable.

Outputs

Alarms

The SPA² can be ordered with two (-2PRG) or four (-4PRG) contact closure alarms. Each alarm can be individually programmed.

2PRG

This is a two relay output with 5A@250Vac or 24Vdc, 50/60Hz non-inductive contact rating. The contact arrangement is SPDT. All relay contacts (NO, NC and COM) are available for use.

4PRG

This is a four relay output with 5A@250Vac or 24Vdc, 50/60Hz non-inductive contact rating. The contact arrangement is SPDT. All relay contacts (NO, NC and COM) are available for use.

Power

U

Universal power. Accepts any power input range of 21.6–125Vdc or 90-260Vac.

24DC* - This option instrument requires power is 24Vdc, $\pm 25\%$.

UAC* - Accepts any power input range between 90-260Vac.

*Power supply option no longer available for purchase.

Options

Analog Output (-AO)

Analog Output. Scaleable for any range between 0-20mA into 1000 ohms or 0-10V output.

Double Pole Double Throw (-DPDT)

Replaces SPDT relays with 2 form C double-pole/double-throw (DPDT) relays, rated 5A@250Vac, 50/60Hz or 24Vdc, non-inductive (2PRG output model only).

FMEDA

Unit comes with Failure Modes, Effects and Diagnostic Analysis (FMEDA) data for evaluating the instrument for suitability for use in a safety-related application.

Housing

[DIN]

DIN-style housing mounts on 35mm (EN50022) Top Hat DIN rails.

[FLB]

Flange mount bracket for wall mounting.

Internal Settings

The password security function of the SPA² is controlled by a single jumper inside the unit housing. You will need to remove the left side panel in order to access the jumper (see Figure 4.0 in Section 4).

Alarm Terminology

Before setting up the SPA², or incorporating the unit in your application, Moore Industries suggests that all users take a few moments to become familiar with some of the terms associated with the use of process instrumentation alarms and relays.

Failsafe Alarms - are de-energized when tripped, energized when the process input is at a non-alarm level. Non-failsafe Alarms are energized whenever tripped, de-energized when the process input is at a non-alarm level. The relays in the SPA² can be switched from failsafe to non-failsafe at any time by the user.

Normal - is the term used to describe the “shelf-state” of relay contacts. The contacts of a Normally Open relay are open (infinite resistance) when the relay is not energized. The contacts of a Normally Closed relay are open when the relay is energized (closed when not energized).



Note: Sometimes a non-alarm input level is referred to as being in a “normal” condition. This practice is intentionally avoided in this manual. Do not confuse the term “normal”, as in Normally Open or Normally Closed, with a non-alarm input condition. In this manual, “normal” is an exclusive reference to the shelf state or quiescent state of an alarm’s relay contacts, whether open or closed.

Latching and Non-latching Alarms - once tripped, a latching alarm remains in alarm until the input returns to a non-alarm level AND is manually reset (using the MR terminals). Non-latching alarms return to a non-alarm state whenever the process input returns to the Reset Point. The SPA² relays can be set by the user to function as either latching or non-latching.

Delay - A delay can be set to avoid false trips. The unit must be in an alarm condition for the delay time before a relay trips.

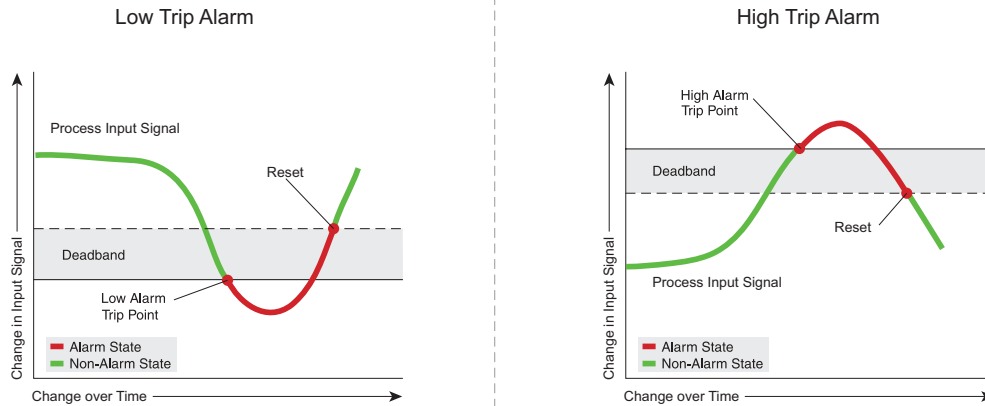
The following terms relate to **Trip Alarms**:

The **Trip Point** is the process input level at which the user wants an alarm relay to change state, typically going into an alarm condition, or “tripping.” In the SPA², the user sets the trip point for each installed relay.

High/Low Alarms - High Alarms trip when the process input goes above the trip point. Low Alarms trip when the process input drops below the trip point. Each of the SPA² outputs can be set by the user to function independently as either high or low alarms.

The **Reset Point** is the process input level at which the user wants an alarm relay to change state, typically going from alarm to non-alarm. The reset point is not necessarily the same as the trip point, because most applications call for a buffer zone or “*Deadband*” around the trip point to allow for minute fluctuations in the process input. In the SPA², the reset point is determined by the deadband setting. Latching SPA² alarms will not “clear” unless the reset point has been reached or passed AND the manual reset contacts have been shorted. The **Deadband** is the range in which an alarm remains tripped even after the process input has returned to or passed the trip point. Deadband is not required. When it is not incorporated into an alarm application, the trip point and reset point are the same.

Figure 1.1. Trip Alarms with Reset point and Deadband setting

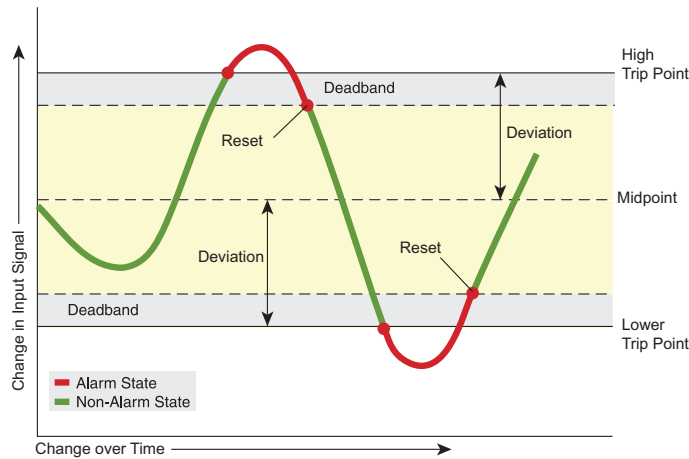


Band Alarm - The Band Alarm is a high and low trip alarm combined. It can be set using low and high trip points or by setting a midpoint and a maximum deviation from that midpoint that is allowed before the alarm trips. Dead Band can also be set for this alarm type.



Note: The Band Alarm is not available in firmware 3.3 or earlier.

Figure 1.2. Band Alarms example

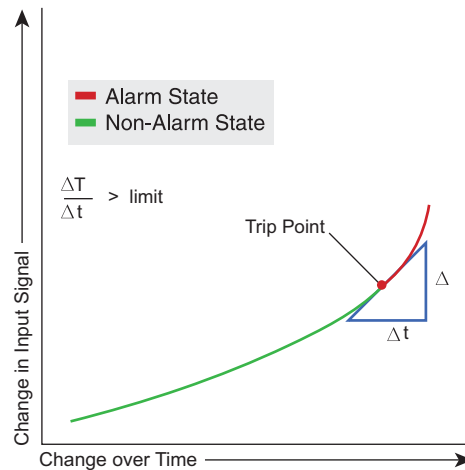


Rate-of-Change and **Stuck Input Alarms** - are used to detect changes or lack of changes in the measured value in units per second.

A **Rate-of-Change Alarm** monitors an input for a change in value with respect to time (see Figure 1.3). The alarm is set to trip when the input rate-of-change exceeds a user-selected amount (Delta) over a user-selected time period (Delta Time). This can be set to detect:

- positive rate of change to alarm if the input is rising too fast
- negative rate of change to alarm if the input is falling too fast
- absolute rate of change to alarm if the input rises or falls too fast

Figure 1.3. Rate-of-Change Alarm Trip.

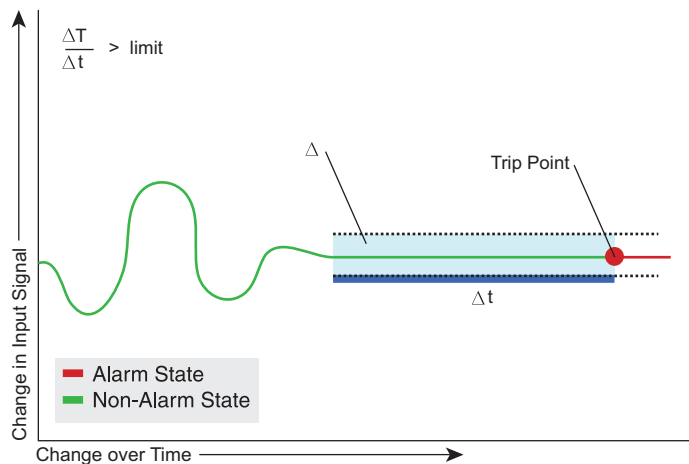


A **Stuck Input Alarm** also monitors an input for a change in value with respect to time (see Figure 1.4). The alarm is set to trip when the input does **not** change by a user-selected amount (Delta) over a user-selected time period (Delta Time). To set the correct value for delta and delta time, you need to understand the expected process variations to avoid false trips and the input signal noise and averaging filter settings to prevent missing stuck inputs.



Note: The Stuck Input Alarm is not available in firmware 3.3 or earlier.

Figure 1.4. Stuck Input Alarm Trip.



Fault Alarms – There are various types of fault which can be selected to trip a unique alarm or in combination with a trip or rate of change alarm.

Input Saturation is set when the input signal exceeds 110% of calibrated input range.

SPA² Failure is set when there is self diagnosed failure of the unit.

Input/Sensor Failure is set when there is a broken wire on a sensor or an input falls below a set threshold.

Out of Range can be set to detect when the input signal goes outside a user specified range (same as band alarm) threshold. When setting the Out of Range Alarm, the values in Lower Point must be greater than those of the Sensor Lower Limit, and less than those set in Lower Range. When setting the Upper Point, the value must be less than the Sensor Upper Limit, and greater than those set in Upper Range.

Section 2 - Calibration and Bench Check

It is recommended that you perform a bench check on your instruments prior to installing them in your application.

Calibration

A true calibration of the SPA² can only be performed at Moore Industries using specialized equipment. We recommend that you check the calibration every year and re-calibrate only when necessary.

However, input trimming increases the measurement accuracy of your instrument by matching the reading of its actual input to its scaling. The SPA² offers the use of a factory-configured trimming feature ("FCTRY TRIM") or user-set, one-point or two-point ("USER 1 PNT" or "USER 2 PNT") trimming.

Please refer to Section 4 of this manual for instructions to perform Input Trimming via the push button panel or Section 5 using the PC Configuration Software. Likewise, output trimming increases the measurement accuracy of the SPA² by calibrating its analog output to the device that is receiving the output. This ensures that the instrument's input is being correctly interpreted.

Please refer to Section 4 of this manual for instructions to perform Output Trimming via the push button panel or Section 5 using the PC Configuration Software.

Table 2.1. Necessary Equipment for Bench Checking the SPA² (HLPRG)

Device	Specifications
Current and/or Voltage	Variable; Accurate to $\pm 0.05\%$ of unit span
Power Supply	21.6 - 175 Vdc or 90-260Vac
Multimeter	Accurate to $\pm 0.009\%$ of span; e.g., HP Model 3478A

Table 2.2. Necessary Equipment for Bench Checking the SPA² (TPRG)

Device	Specifications
Variable Input Simulator for Thermocouple, RTD, Millivolt, Potentiometer, or Decade Resistance Box	Variable; Accurate to $\pm 0.05\%$ of unit span
Power Supply	21.6 - 175 Vdc or 90-260Vac
Multimeter	Accurate to $\pm 0.009\%$ of span; e.g., HP Model 3478A

Bench Check

We highly recommend that you perform a bench check of your SPA² prior to installing it in the field. This will ensure that the SPA² is operating within your expectations or requirements. The bench check is a quick way to determine that your SPA² is functioning as expected. As a prelude to performing the bench check you should configure your SPA² as it is to be used in your final application.

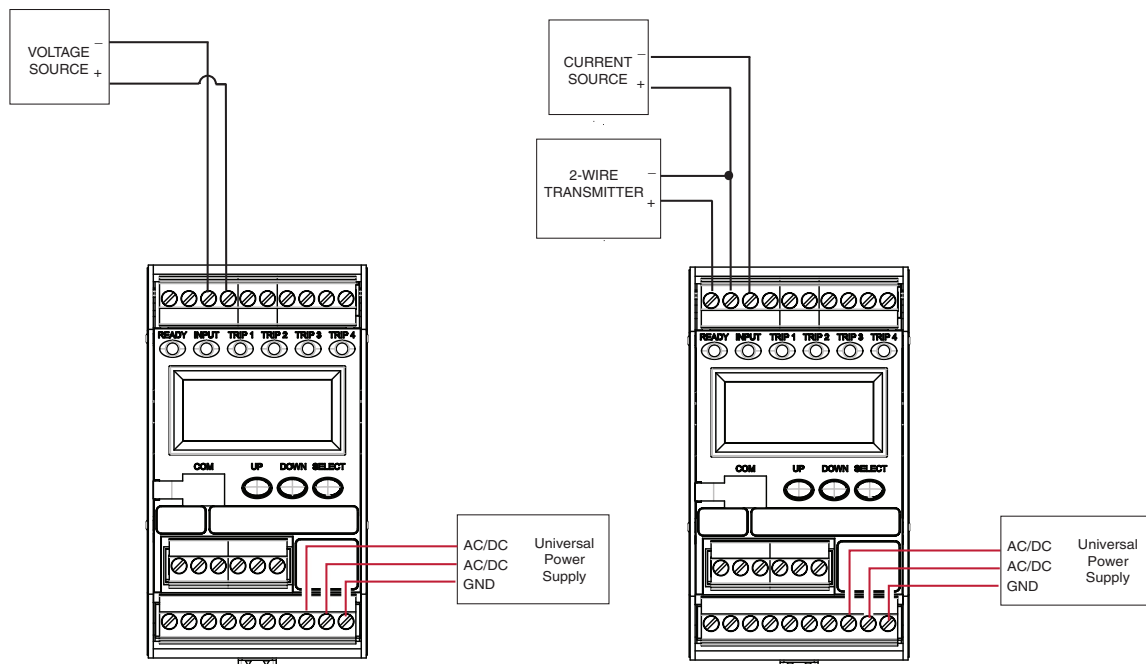
Refer to Section 4 for the SPA² Front Panel Configuration instructions. These instructions are used if you are configuring your SPA² by using the front panel push buttons. Section 5 contains the instructions for configuring your SPA² using the SPA² PC Configuration software. The equipment necessary to perform a bench check can be found in Table 2.1 or Table 2.2.

Bench Check Procedure

Current or Voltage Input (HLPRG):

1. In order to provide an input to your SPA² HLPRG you will need to use an appropriate input source. By example – if you plan to use your SPA² with a current (mA) input you will need to use a milliamp source to provide the appropriate input during your bench check. The same goes for a voltage source. Use whichever input source is correct for your intended application. Please see Figure 2.1 for the correct input connections.
2. Power Input:
Connect the appropriate power source as shown in Figure 2.1.

Figure 2.1. SPA² (HLPRG) Bench Check



3. Set your input source to the low end of your configured input span. By example – if your input is configured for a current (mA) and your input range is set for 4-20mA then use a current source and set it to 4mA. Verify that the SPA² is reading 4mA on its display window.
4. Set your input source to the high end of your configured input span and verify that the SPA² display window correctly reflects the input.
5. Temporarily remove one of your input connections to verify that the Broken Wire feature is working.
6. Alarm Relays:

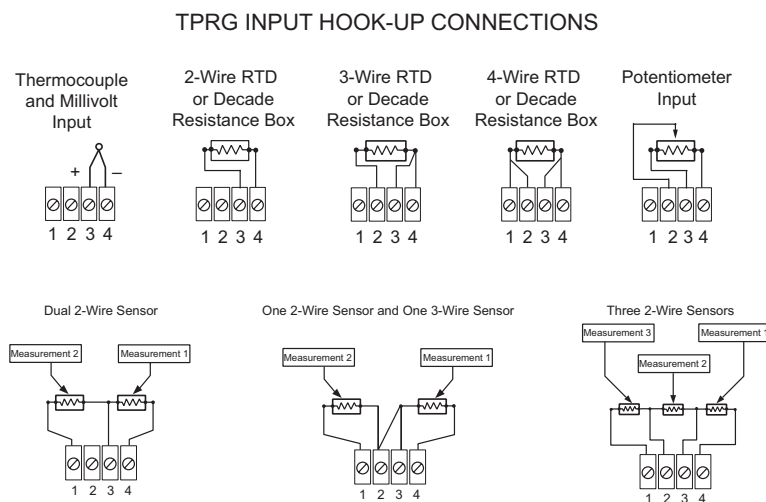
By adjusting your input up and down you can confirm the operation of the Alarm Relays. Use your multimeter (set to ohms) to verify the state of the relay contacts.

Bench Check Procedure

Sensor Input (TPRG):

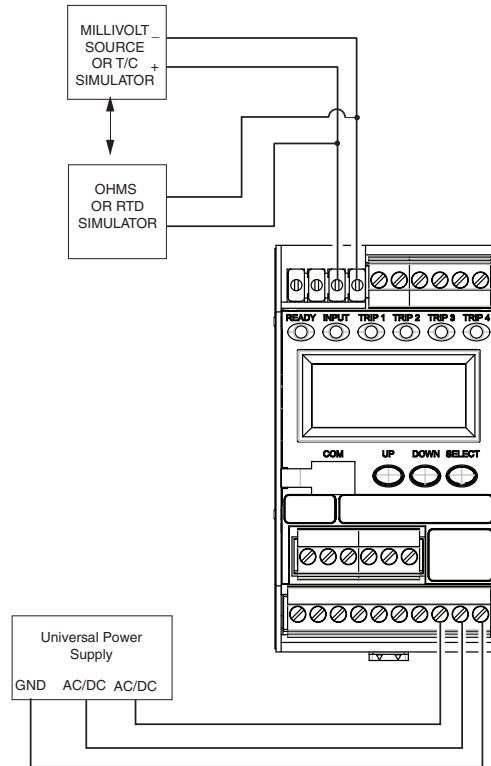
1. In order to provide an input to your SPA² TPRG you will need to use an appropriate input simulator. By example – if you plan to use your SPA² with a thermocouple input you will need to use a thermocouple simulator to provide the appropriate input during your bench check. The same goes for an RTD simulator, a millivolt source, a potentiometer, or a decade resistance box. Use whichever input source is correct for your intended application. Please see Figure 2.2 for the correct sensor input connections.

Figure 2.2. SPA² (TPRG) Input Hook up guide



2. Power Input:
Connect the appropriate power source as shown in Figure 2.3.
3. Set your input simulator to the low end of your configured input span. By example – if your input is configured for a Type T thermocouple and your input range is set for 0-100° C then use a Type T thermocouple simulator and set it to simulate 0° C. Verify that the SPA² is reading 0° C on its display window.
4. Set your input simulator to the high end of your configured input span and verify that the SPA² display window correctly reflects the input.
5. Temporarily remove one of your input connections to verify that the Broken Wire feature is working.
6. Alarm Relays: By adjusting your input up and down you can confirm the operation of the Alarm Relays. Use your multimeter (set to ohms) to verify the state of the relay contacts.

Figure 2.3. SPA² (TPRG) Bench Check



Units with the Analog Output Option (-AO)



Note: Even though 0-20mA is the range of the analog output it can be scaled by the user for a narrower range (such as 4-20mA).

1. Connect the analog output.
2. When testing the milliamp output it is best to use a 250 ohm precision resistor across the output terminals. Then you can use your multimeter (set to voltage) to read the voltage drop across the resistor. Hence a reading of 1V means that the analog output is putting out 4mA, and a reading of 5V equates to a 20mA output.
3. Set your input simulator to the low end of your configured input span. Verify that the analog output is correct. By example – a 1V reading across your 250 ohm resistor equates to a 4mA output.
4. Set your input simulator to the high end of your configured input span. Verify that the analog output is correct. By example – a 5V reading across your 250 ohm resistor equates to a 20mA output.

You have now confirmed that your SPA² is operating correctly and can now be confidently installed into your application.

Section 3 - Installation and Wiring

Instructions in this section and others may require special precautions to ensure the safety of the personnel performing the operations. Notes, Cautions and Warnings that may cause potential safety issues are indicated throughout this manual by symbols, please refer to Page 3 of this manual to view and familiarize yourself with these safety message symbols.

Mounting

The SPA² is housed in a DIN case that can be mounted on 35mm Top-Hat (EN50022) DIN-rail. To mount the SPA² on a Top-Hat DIN-rail, seat the upper extrusion on the unit back panel over the top lip of the rail and pivot downward until the housing locks into place. When mounting multiple units, like a rack or cabinet, make sure to allow adequate vertical spacing for pivoting the units.

Removal

To remove the SPA² from DIN rail you will need a simple tool such as a straight blade screwdriver. Insert the blade of the screwdriver into cavity at the bottom of the locking mechanism and rotate it. This will release the locking mechanism from DIN rail and allow you to remove the SPA².

Making the Electrical Connections

When installing any Moore Industries product, always follow all local regulations and standards for grounding, shielding, and safety.



WARNING: Terminals on this unit may be connected to hazardous voltages. Before making ANY connections to this unit, always remove power from the loop or instrument power terminals.

Installation Category

All terminals are rated CAT I.



WARNING: If this unit is used in a manner not specified by Moore Industries, the protection provided by the equipment may be impaired.

Switches and Circuit Breakers

For SPA² AC powered units, a switch or circuit breaker must be wired in series with the AC power conductors. The switch or circuit breaker used must be located within three meters of the unit. The circuit breaker or switch will only remove power to the unit, hazardous voltages may still be connected to other terminals on the unit.

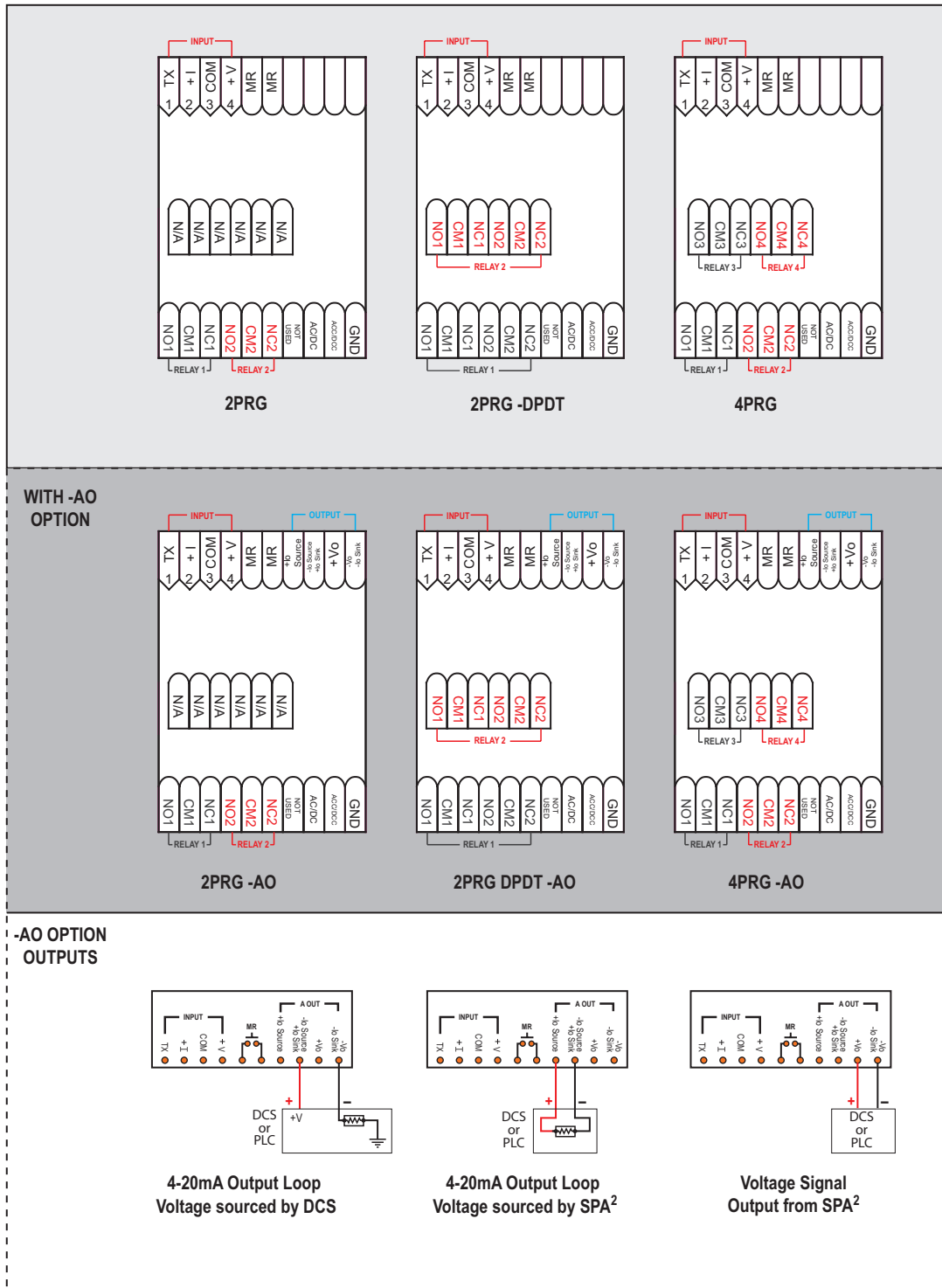
Power Supply Wiring

All power connections should be made with 14 or 16 AWG (2mm² or 1.3mm²) wire.

The end of each conductor should be stripped no more than 0.25in (7mm). The end of the stripped wire should be tinned with solder, or inserted into a ferrule and crimped before being placed into a terminal block.

Tighten the screws on the terminal block to 4.4 - 5.3 lbf/in² (0.5 - 0.6 N/m²).

Table 3.1. SPA² (HLPRG) Terminal Designations



NOTES:

- Terminal blocks can accommodate 14-22 AWG solid wiring.
- $\pm I_o/\pm V_o$ labeling is present only when the unit is equipped with the Analog Output (-AO) option.
- Your input power requirement (AC or DC / ACC or DCC) will depend upon your unit's power need.

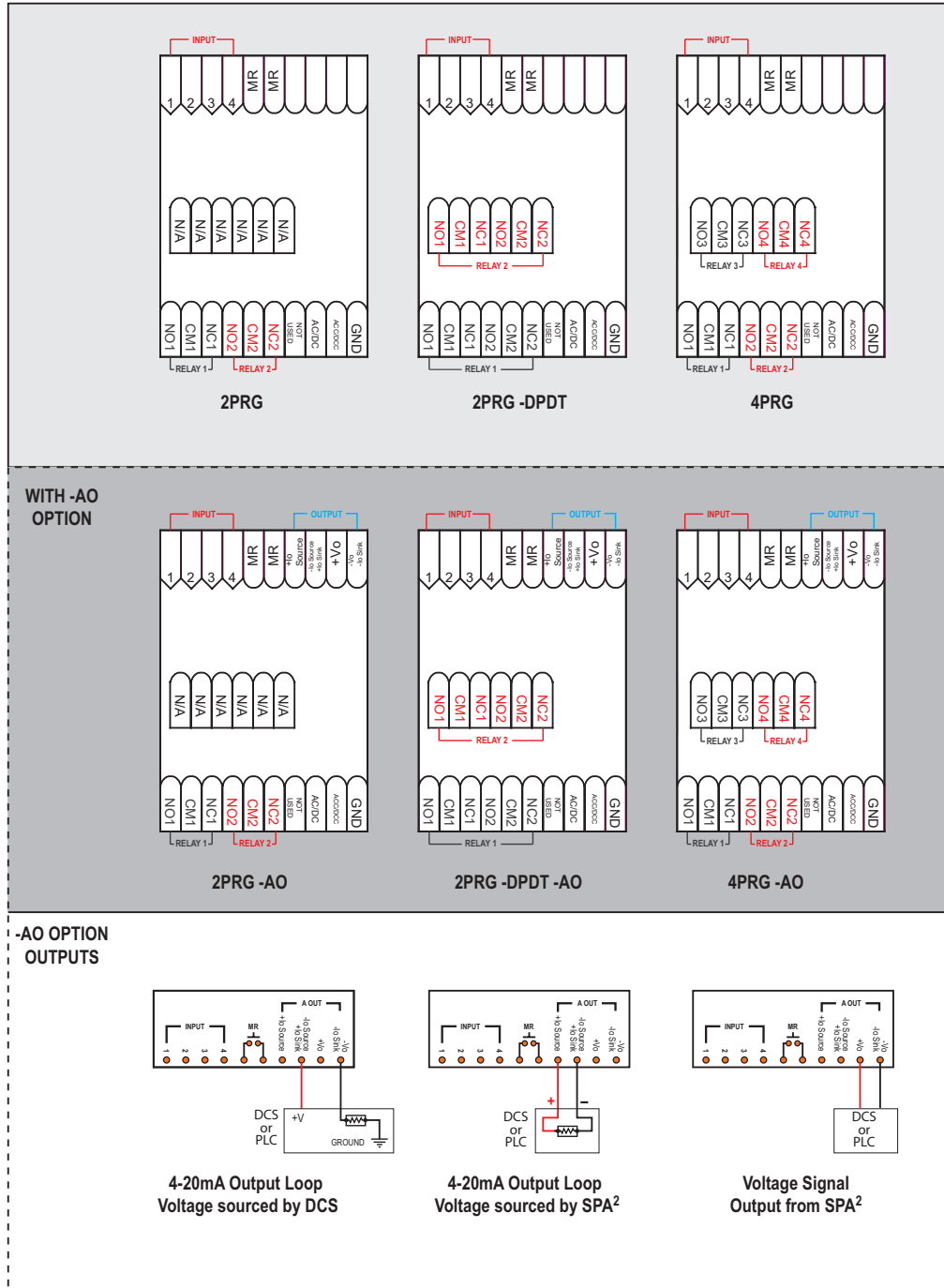
KEY:

AC/DC = Power Input
ACC/DCC = Power Input
CM = Relay Common
COM = Analog Common
DPDT = Double-Pole/Double-Throw
GND = Ground

I = Current Input
I_o = Current Output
MR = Manual Reset
NO = Normally Open
NC = Normally Closed
Sink = Current Sink

Source = Current Source
SPDT = Single-Pole/Double-Throw
TX = Power for 2-wire transmitter
V = Voltage Input
V_o = Voltage Output

Table 3.2. SPA² (TPRG) Terminal Designations



NOTES:

- Terminal blocks can accommodate 14-22 AWG solid wiring.
- $\pm I_o/\pm V_o$ labeling is present only when the unit is equipped with the Analog Output (-AO) option.
- Your input power requirement (AC or DC / ACC or DCC) will depend upon your unit's power need.

KEY:

AC or DC = Power Input
ACC or DCC = Power Input
CM = Relay Common
DPDT = Double-Pole/Double-Throw
GND = Ground

I_o = Current Output
MR = Manual Reset
NO = Normally Open
NC = Normally Closed

Sink = Current Sink
Source = Current Source
SPDT = Single-Pole/Double-Throw
Vo = Voltage Output

Table 3.3. SPA² (TPRG) Input Hook Connections

TPRG INPUT HOOK-UP CONNECTIONS

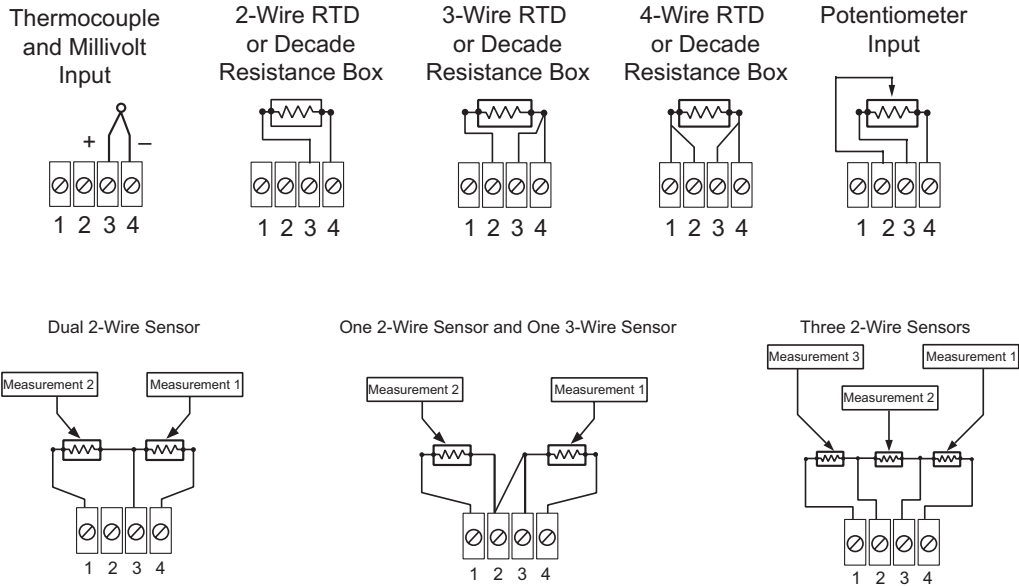
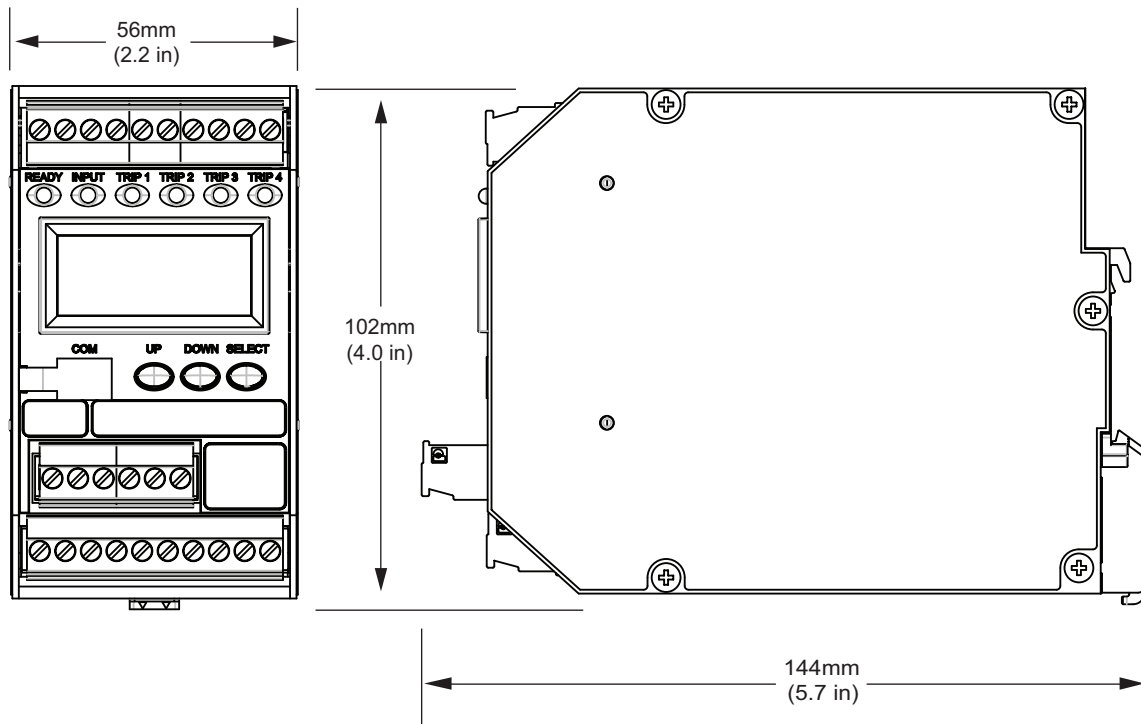


Figure 3.4. SPA² Dimensions



Equipment Ratings

Contact Relays

The SPA² does not generate hazardous voltages but can switch outputs up to 5A at up to 250Vac or 30Vdc on its relay contacts. Products connected to the SPA² relay terminals should be designed to receive this type of input.

Analog Output

The SPA² does not generate hazardous voltages, it provides a low current 0-20mA output. Products connected to the SPA² Analog Output terminals should be designed to receive this type of input.



Warning: *If this unit is used in a manner not specified by Moore Industries, the protection provided by the equipment may be impaired.*

Protective Earth Conductor

The Protective Earth Conductor shall be of equal or larger size wire than the other two power conductors. The Protective Earth Conductor shall be the first conductor connected to the unit when the unit is being wired. It shall be the last conductor removed when the unit is being un-wired.

Input/Output Wiring

The Input/Output connections can be made with 14 to 24 AWG (2.5mm² to 0.2mm²) wire. The end of each conductor should be stripped no more than 0.25in (7mm). Tighten the screws on the terminal block to 4.4 - 5.3 lbf/in² (0.5 - 0.6 N/m²).

Recommended Ground Wiring Practices

Moore Industries recommends the following ground wiring practices:

- Any Moore Industries product in a metal case or housing should be grounded.
- The protective earth conductor must be connected to a system safety earth ground before making other connections.
- All input signals to, and output signals from, Moore Industries' products should be wired using a shielded, twisted pair wiring technique. Shields should be connected to an earth or safety ground.
- For the best shielding, the shield should be run all the way from the signal source to the receiving device. (see Note below)
- The maximum length of un-shielded input and output signal wiring should be 2 inches.



Note: *Some of Moore Industries' instruments can be classified as receivers (IPT2, IPX2, etc.) and some can be classified as transmitters (TRX, TRY, etc.) while some are both a receiver and a transmitter (SPA2, HIM, etc). Hence, your shield ground connections should be appropriate for the type of signal line being shielded. The shield should be grounded at the receiver and not at the signal source.*

CE Certification-related Guidelines

Installation of any Moore Industries' products that carry the CE marking must adhere to the guidelines in the Recommended Ground Wiring Practices section in order to meet the EN 61326 requirements set forth in the applicable EMC directive.

The Low Voltage Directive also applies to the AC powered units and/or when connecting any of its output relay contacts to voltages greater than 50 vac. In order to comply with EN61010-1 (Low Voltage Directive) all guidelines in this section must be followed.

Contact/Load Suppression

When the instrument relays are used to switch an inductive load such as an external relay coil, contactor, solenoid, large voltage spikes may be created in nearby cable harnesses. When excessive, these voltage spikes can disrupt the operation of all nearby electronics including this product. Inductive loads should have suppression devices installed at the load (for external relays this would be right across the relay coil itself). Usually this is a simple diode for dc circuits. AC circuits routinely use an R-C snubber. Please follow the external load manufacturer instructions for their recommended suppression kits.

Installation in Hazardous Locations

This section contains important information regarding installation of SPA² in Hazardous Area Locations.



WARNING:

Explosion Hazard. Do not disconnect equipment when a flammable or combustible atmosphere is present.



AVERTISSEMENT:

Risque d'explosion. Ne pas débrancher tant que le circuit est sous tension, à moins qu'il ne s'agisse d'un emplacement non dangereux.



WARNING:

Explosion Hazard. Substitution of components may impair suitability for Class I, Division 2.



AVERTISSEMENT:

Risque d'explosion. La substitution de composants peut rendre ce matériel inacceptable pour les emplacements de Classe I, Division 2.

Specific Conditions of Use

The following instructions must be adhered to when the SPA² is used in hazardous locations and potentially explosive atmospheres.

cFMus Installations

Non-Incendive Applications
Class 1 Division 2 Groups A-D

The SPA² shall be installed in compliance with the enclosure, mounting and spacing and segregation requirements of the ultimate application.

Non Hazardous or Ordinary Locations

The equipment is suitable for use in ordinary or non-hazardous locations.

Section 4: Configuration Front Panel Pushbuttons

The SPA² operating parameters may be set using front panel pushbuttons and/or Moore Industries' PC Configuration Software. This section describes configuration via the front panel pushbuttons.

There are three pushbuttons on the unit's front panel; *UP*, *DOWN* and *SELECT*. Together with the prompting messages displayed on the LCD, these are used to access menus, and to view and change the settings.

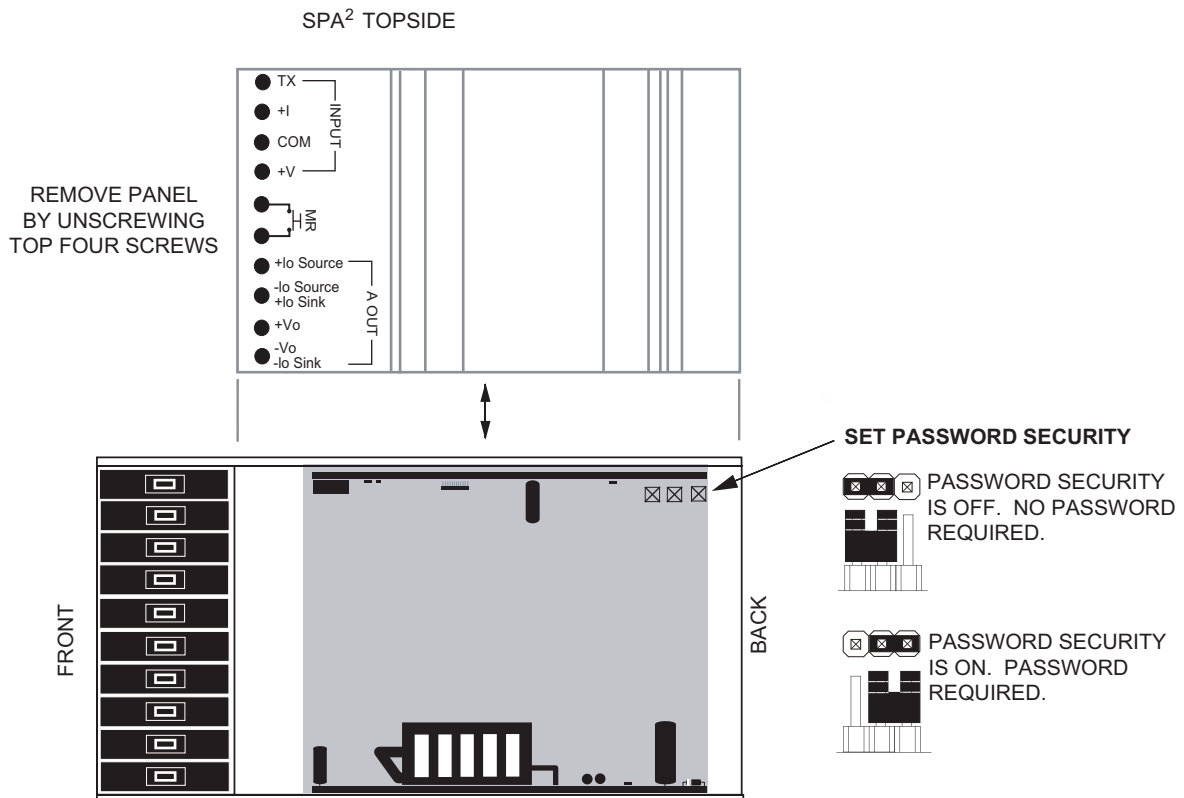
Use *SELECT* as your "Enter" button, to make your selections.

Use the *UP* and *DOWN* buttons to navigate within the menus.



Note: Refer to the QuickStart Guide to see the default factory settings for your unit. All parameters, except the Custom Curve Table feature, can be configured using the front panel pushbuttons. The Custom Curve table can only be configured using the PC Configuration Software Program.

Figure 4.0. SPA² Internal Jumper for Password Security



Note: The password security function of the SPA2 is controlled by a single jumper inside the unit housing. The default (factory) setting is 'Password required' as shown above. 'Full Access' means that no password is required.

Main Menu/View Settings

Figure 4.2 gives an overview of the Main menu; the View menu is shown in Figure 4.3. Upon power-up, the SPA² defaults to a display of the measured value. Pressing the *DOWN* button accesses a series of displays that show, in succession, some of the settings currently stored in unit memory.

Depending upon whether or not the Security Jumper has been installed (Figure 4.0), pressing *SELECT* will access either the first screen in the main configuration menu, "CONFIG INPUT" (or "CONFIG SENSR"), or the password code query screen, "ENTER PASS".

Once the Main Menu has been accessed, the *DOWN* button is used to move through all of the sub-menus in a loop. Pressing the *SELECT* button accesses the first screen of the sub-menu shown on the LCD.

Security Settings

The SPA² password security feature limits access to the front panel configuration. The password security feature is intended only to prevent the casual user from upsetting the function of the SPA² by inadvertently pressing the front panel push buttons. It is controlled by a single jumper inside the top of the unit housing. You will need to remove the top cover in order to access the jumper. The password jumper setting will default to Password Required (Pins 1 and 2).

The default security password is 55. This is valid until the password is changed to another value.

Password

This menu is bypassed if the Password Security Jumper is not installed. If the jumper is installed, the menu comes up when *SELECT* is pressed from the display of the process variable input. To access the security jumpers, you must remove the top cover. The menu is shown as part of Figure 4.2. Refer to the *Password Configuration* section of this manual for a more detailed description of the password feature.

1. If the jumper is installed, pressing *SELECT* from the display of the process variable input will bring up the "ENTER PASS" screen.
2. Press *SELECT* again to enter the "PASS" screen. Use the *UP* and *DOWN* buttons to enter "55", the default screen for this point in the menu.
3. If a password has been set (four characters, maximum), use the *UP* or *DOWN* buttons to display the correct password.

When the correct password number is displayed, press *SELECT*.



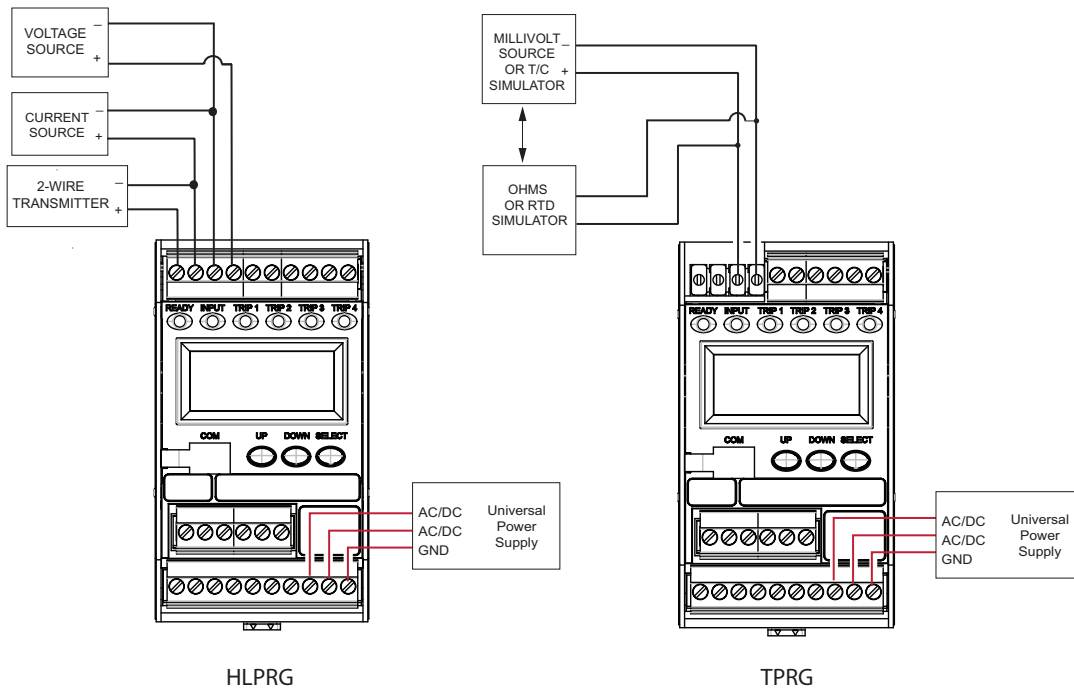
Note: If the correct password is not known, the unit settings can be viewed, but not changed.

4. If you have entered the correct password, the input configuration menu, "CONFIG SENSR" (or "CONFIG SENSR"), will be accessed. If not, the display will show a "VIEW ONLY" message.
5. From "VIEW ONLY", press *SELECT* to go back to the process variable input. Use the *UP* and *DOWN* buttons to view the settings in the various menus. The "VIEW ONLY" mode locks out any attempt to make changes to the settings.

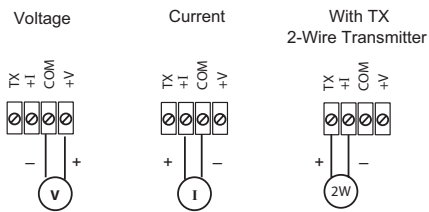


Note: The menu to set or change the password stored in SPA² memory is presented in the *Password Configuration* section of the manual.

Figure 4.1. SPA² Hook-Up Diagram For Front Panel Configuration



HLRG INPUT HOOK-UP CONNECTIONS



TPRG INPUT HOOK-UP CONNECTIONS

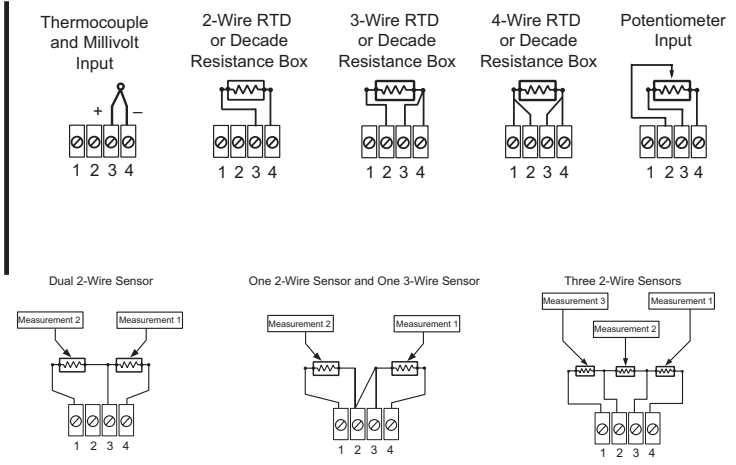


Figure 4.2. Main Menu and Password Menu

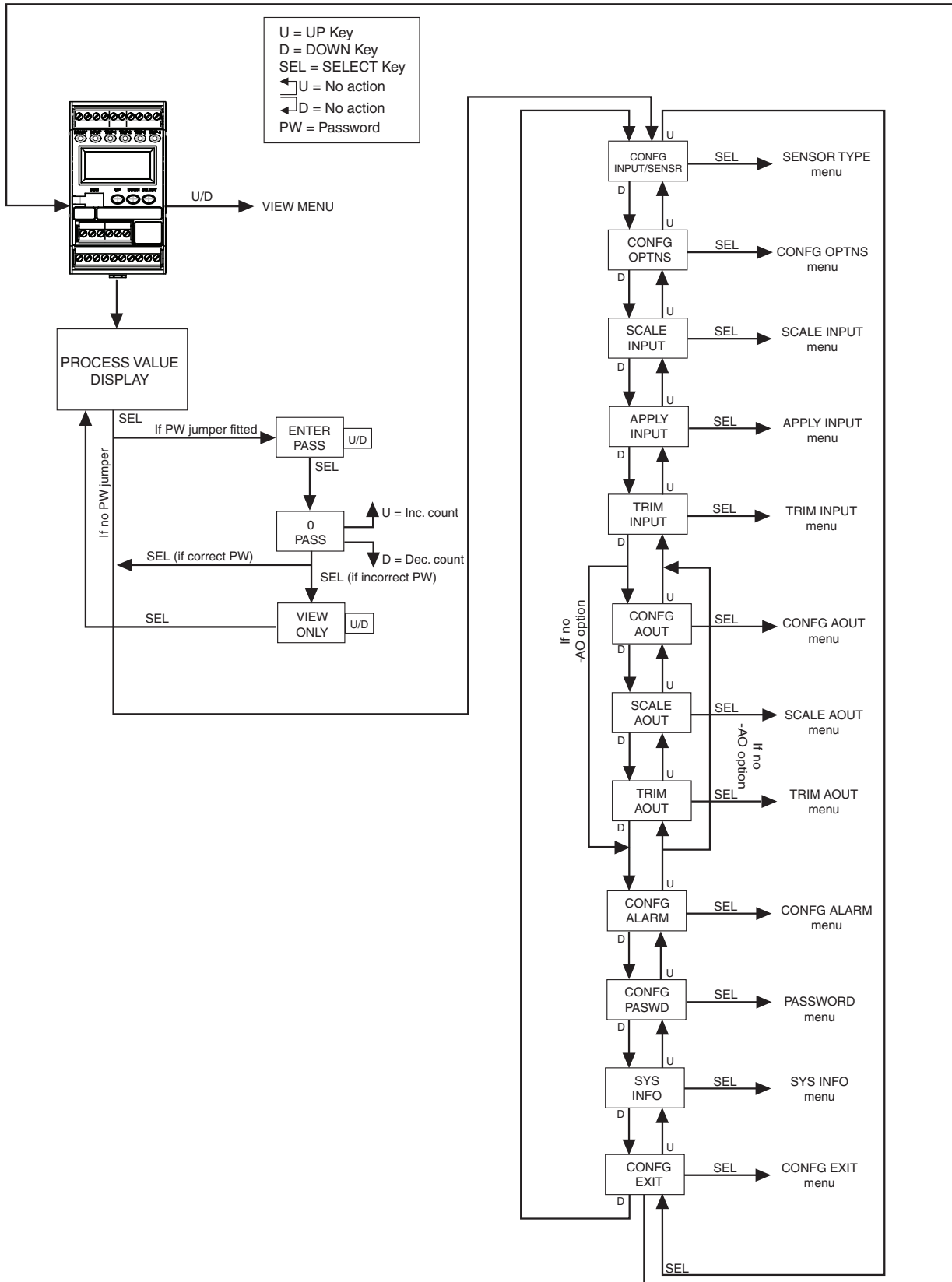
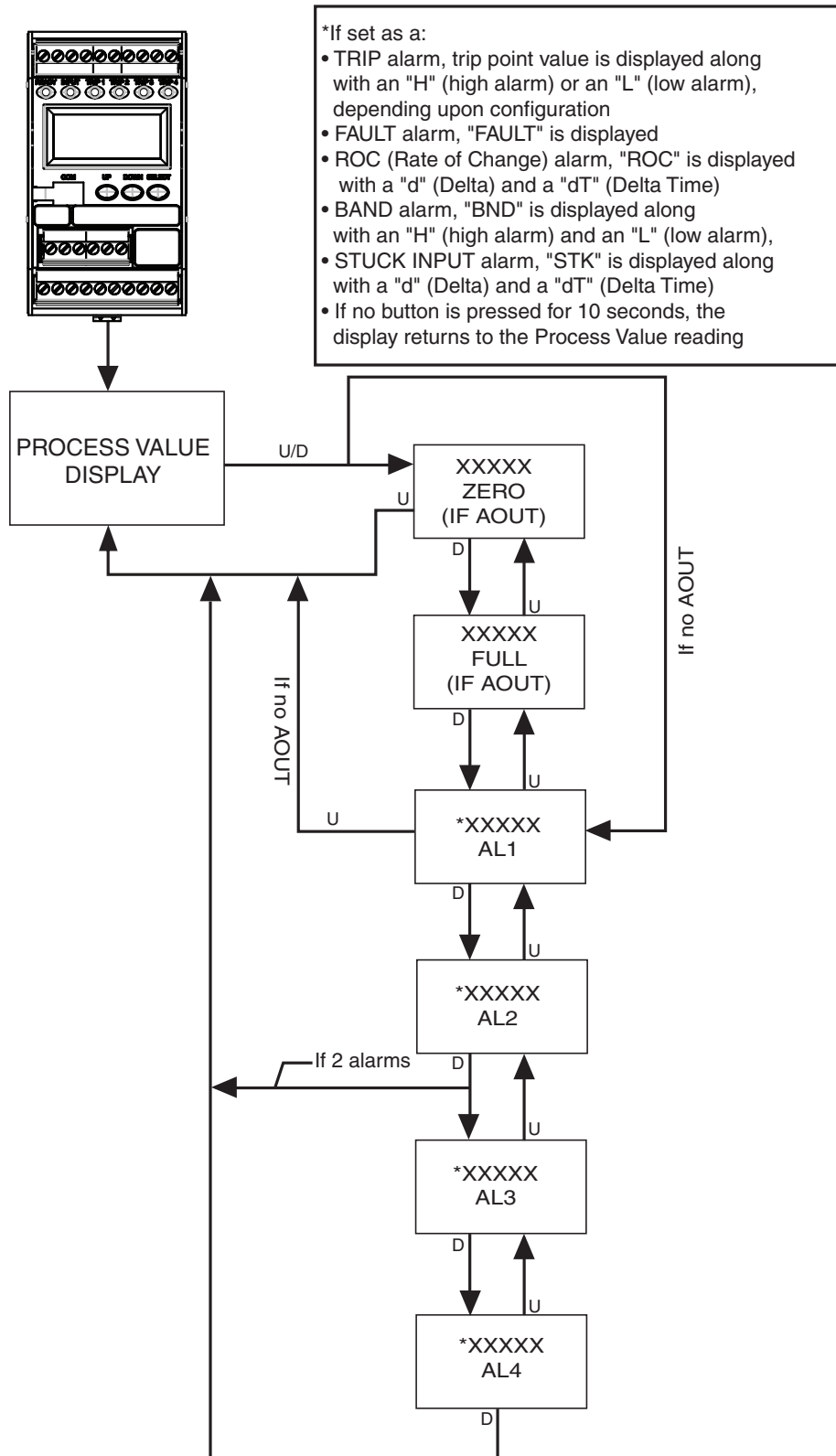


Figure 4.3. View Menu



Configuring the HLPARG Input

Figure 4.4. gives an overview of the Input Configuration menu.

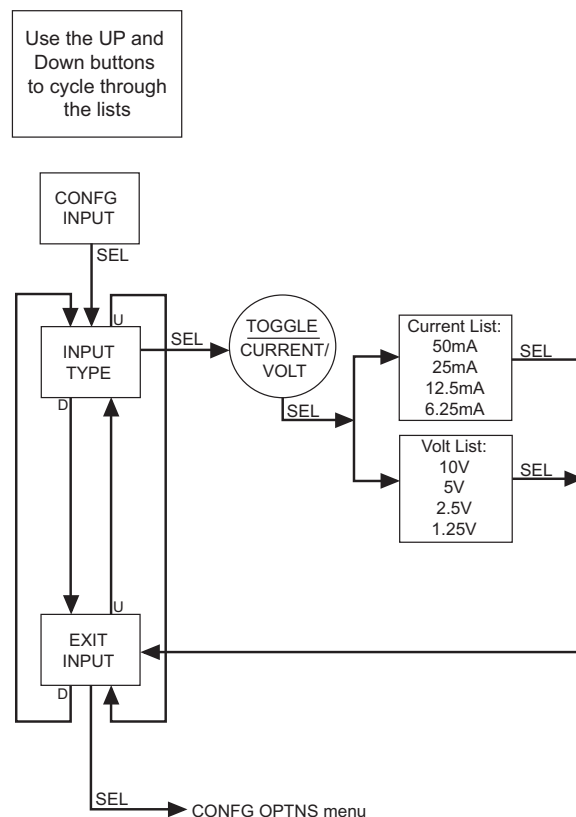
If the Password Jumper is not installed, the password sub-menu is bypassed, and the "CONFIG INPUT" menu is accessed by pressing *SELECT* from the process variable display.

1. From the "CONFIG INPUT" display, press *SELECT*.
2. At "INPUT TYPE" press *SELECT*. The display shows, "CURNT" or "VOLT" (current or voltage parameter). Use the *UP* or *DOWN* arrow buttons to scroll through the two options for input type. The default display for this menu is always the last setting.
3. When the display shows the type of input, current or voltage, that you choose to use, press *SELECT*.
4. Next, the available input values are displayed. Use the *UP* or *DOWN* buttons to scroll through the selections, choose a value that is greater than or equal to the maximum value for the input you will be monitoring and press *SELECT* when the value has been displayed.
5. "EXIT INPUT" appears. If all values in this parameter have been set, press *SELECT*. If not, return to the menu and set your values.
6. The next display is the menu for the selection of functional options, "CONFIG OPTNS". To skip the rest of the configuration menus and return to the process variable display, press the *UP* button twice (to "CONFIG EXIT"), and press *SELECT*.



Caution: Cycling thru the Current List or Voltage List (i.e 50ma, 25ma, 10V, 5V, etc.) under the **INPUT TYPE** menu reverts the SPA2 Input Zero and Input Full settings back to their default values. After viewing or selecting the input range choices in this **INPUT TYPE** menu, ensure that you check or reset the SPA2 Input Zero and Input Full settings in the "SCALE INPUT" menu section (Figure 4.7).

Figure 4.4. CONFIG INPUT Menu



Configuring the TPRG Sensor

Figure 4.5. gives an overview of the Input Configuration menu.

If the Password Jumper is not installed, the password sub-menu is bypassed, and the "CONFG INPUT" menu is accessed by pressing *SELECT* from the process variable display.

1. From the "CONFG SENSR" display, press *SELECT*.
2. At "SENSR TYPE" press *SELECT*. Use the *UP* or *DOWN* arrow buttons to scroll through the options in the "Sensor Selection List" box shown in Figure 4.5, for input type. The default display for this menu is always the last setting.
3. When the display shows the type of input that you choose to use, press *SELECT*.
4. Depending on the type of input sensor you choose you may then be presented with a sub-menu where you can further refine your choice of sensor type. For example: if you choose "T/C+RJC" you will then be presented with sub-menu where you can choose the type of thermocouple you will be using.
5. If a Resistance range was selected as your input, and you are using dual sensors, you will need to choose whether you want to view your process variable in an average (PV AVG) or differential (PV DIFF) display; press *SELECT*.
6. "EXIT SENSR" appears. If all values in this parameter have been set, press *SELECT*. If not, return to the menu and set your values.
7. The next display is the menu for the selection of functional options, "CONFG OPTNS". To skip the rest of the configuration menus and return to the process variable display, press the UP button twice (to "CONFG EXIT"), and press *SELECT*.

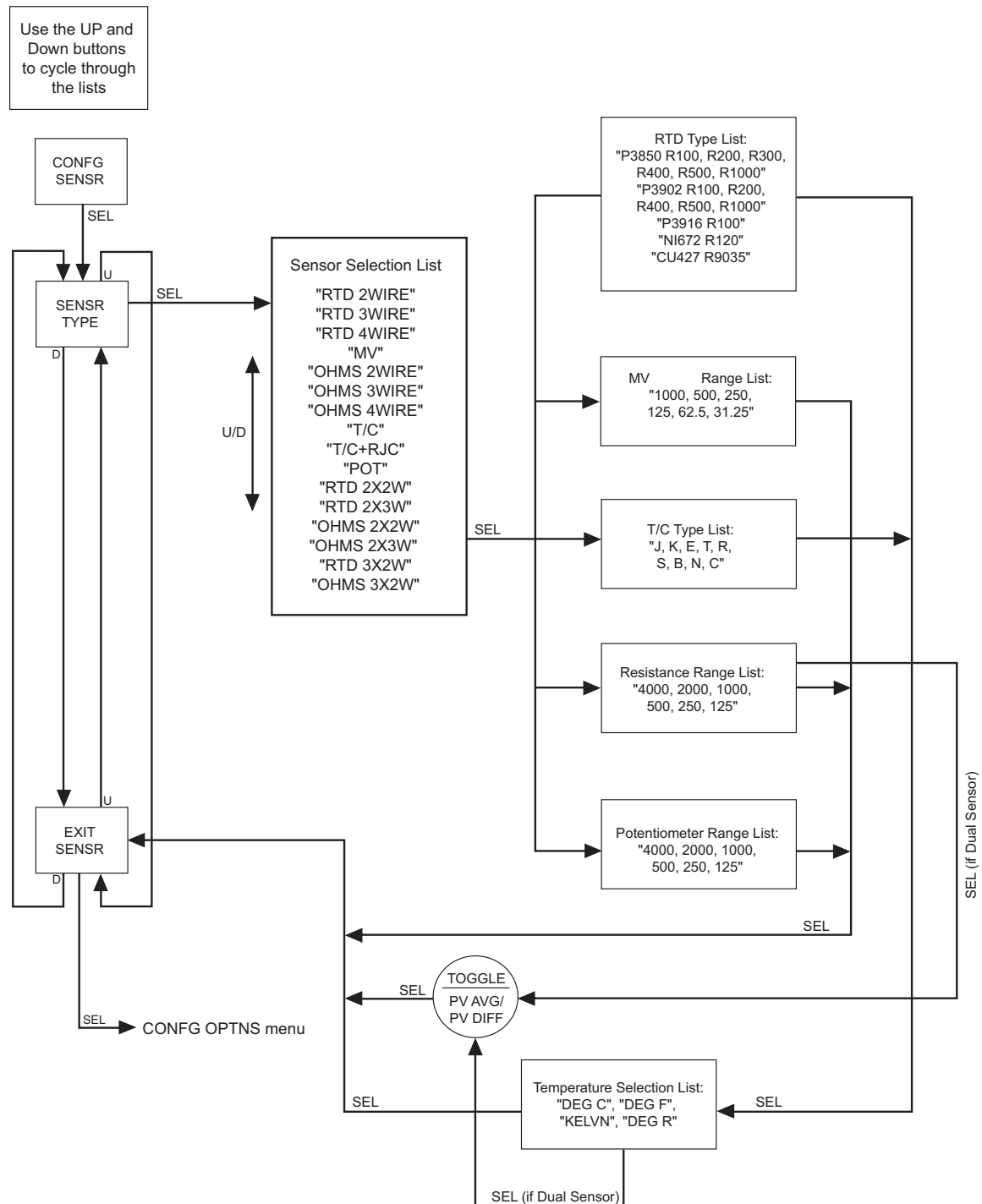


Note: The password security function of the SPA2 is controlled by a single jumper inside the unit housing. The default (factory) setting is 'Password required' as shown above. 'Full Access' means that no password is required.



Caution: After selecting an entry in the Sensor Selection List you will be placed in the selected list (e.g., RTD Type, MV Range, T/C Type, Resistance Range, or Potentiometer Range). If you then scroll up or down while in that list, the list parameter value will be reset to its corresponding default value, so you must ensure that you enter the desired value for the Input Zero and Input Full settings in the "SCALE INPUT" menu section (Figure 4.7) before exiting and inadvertently overwriting the list parameter value with its default value.

Figure 4.5. CONFIG SENSOR Menu



Configuring the Options

Figure 4.6. gives an overview of the Options Configuration menu.

You may configure the process variable display, decimal places, 50/60Hz filter selection, broken wire detection and the scaling mode from this menu.

To configure the options of the the SPA²:

1. At the "CONFIG OPTNS" screen, press *SELECT*.
2. "DSPLY MODE" appears. Press *SELECT* to enter the menu. Choose between "NORM MODE" and "TOGGLE MODE" by using the *UP* and *DOWN* buttons. Press *SELECT*.
NORM MODE– (Normal Mode) Displays only your PV or AOUT (or RJC for TPRG units) value, whichever you select.
TOGGLE MODE– (Toggle Mode) Every four seconds your display will toggle between two displays that you choose.
3. Next, "DSPLY SRC 1" appears. Press *SELECT* and choose between "AOUT" (if your unit is equipped with the -AO option) or "PV" (or RJC for TPRG units) by using the *UP* and *DOWN* buttons. Press *SELECT*.
 If you selected "TOGGLE MODE", you will next be asked to enter your "DSPLY SRC 2" value.
4. The "DSPLY EGU 1" (Display Engineering Units) prompt is brought up. Press *SELECT* and choose the desired appearance of your display. Press *SELECT*.
 If you selected "TOGGLE MODE", you will next be asked to enter your "DSPLY EGU 2" value.
5. Next, the "SET DPS" (Set Decimal Places) display appears. Press *SELECT*. Scroll through the available choices by using the *UP* and *DOWN* buttons and press *SELECT* once you have made your selection.
6. "SET FILTR" (Set Filter) appears; press *SELECT*. Here, you must select the proper AC line frequency of your area–50Hz or 60Hz or you can choose the FAST option; press *SELECT*.



Note: A faster response time can be achieved when selecting the Fast option, but this will also produce a reduced accuracy and increase the possibility of mains-induced noise.

7. When "SET BWIRE" appears, press *SELECT* to enter the menu. You must choose whether or not to enable Broken Wire Detection. Press *SELECT*.

HLPRG - Broken Wire Detection– The SPA² HLPRG monitors your process variable. Enabling broken wire detection allows user to set value wherein the SPA² HLPRG will detect and declare a broken wire condition. If the monitored value falls equal to or below a set value, then a state of Broken Wire is declared.

TPRG - Broken Wire Detection– The SPA² TPRG monitors your process variable. If the hardware circuit detects a broken wire condition, then broken wire is declared. On TPRG unit this feature can only be turned on or off.



Note: Broken Wire Detection "BWIRE" can only be set on HLPRG models if the Lower Range Value (LRV) is set higher than zero (refer to the "INPUT ZERO" in Scaling the Input below).

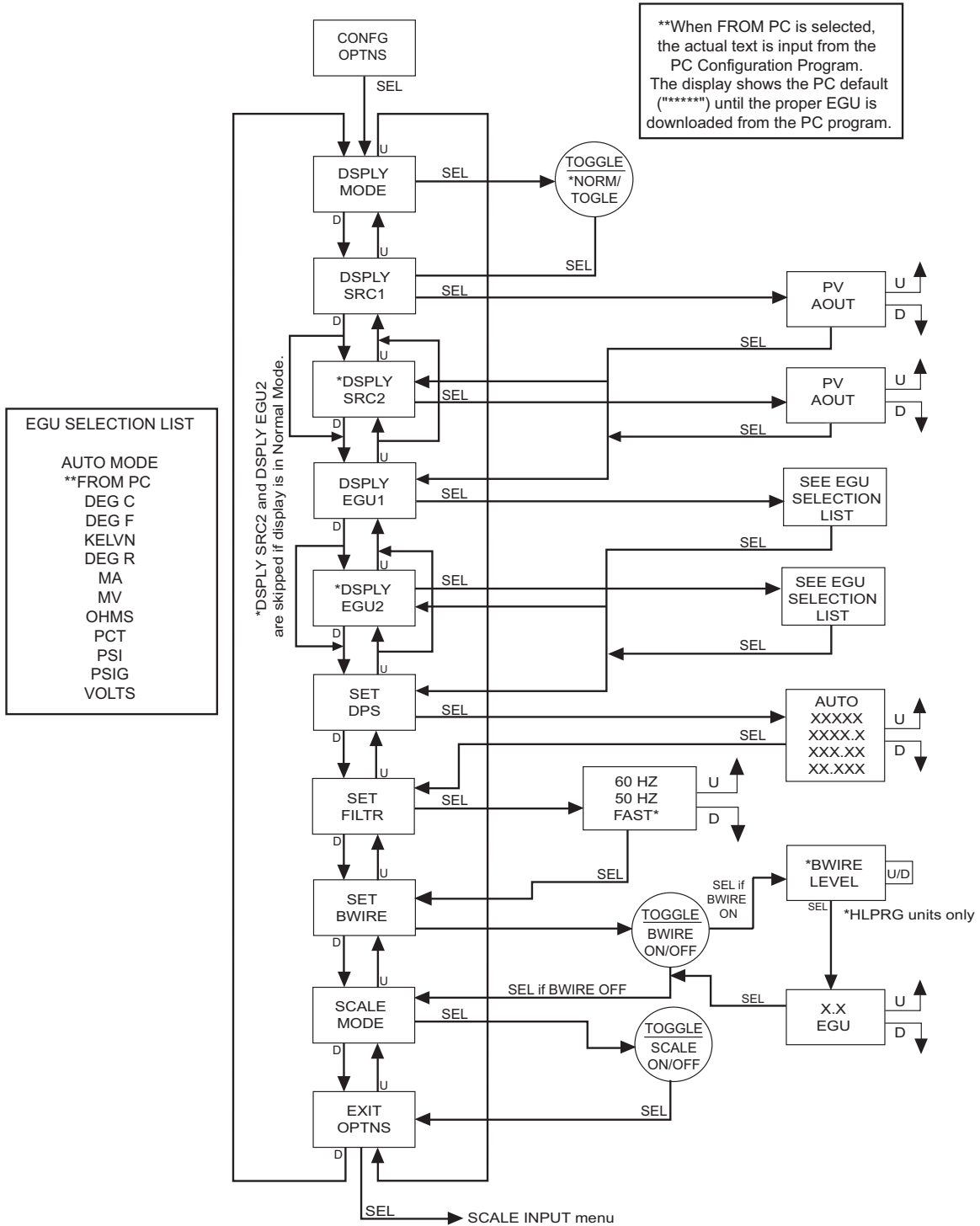
8. "SCALE MODE" appears; press *SELECT*. Choose whether or not to enable scaling. This will be configured in the next menu. Select "SCALE OFF" or "SCALE ON" and press *SELECT*.

Caution: *Turning on scaling will disable custom-curve and turning off scaling will not restore custom-curve. The custom-curve can only be restored using the PC configuration Software. The custom data points will remain unchanged.*

Scale Mode– This allows you to customize your display for your application. By example: if your process is sending a 4-20mA signal to the SPA² and you wish to view the input as 0-100% then this can be accomplished with the Scale Mode feature.

9. "EXIT OPTNS" (Exit Options) appears. Press *SELECT*. Proceed to the "SCALE INPUT" menu.

Figure 4.6. CONFIG OPTNS Menu



When FROM PC is selected, the actual text is input from the PC Configuration Program. The display shows the PC default ("***") until the proper EGU is downloaded from the PC program.

*DSPLY SRC2 and DSPLY EGU2 are skipped if display is in Normal Mode.

*HLPRG units only

Scaling the Input

Figure 4.7. gives an overview of the Input Scaling menu.

Scaling allows you to take your PV (Process Variable) reading and manipulate it to a more customized display range. PV is the unit read after selecting your input type. For example, choosing a Current input would then produce a PV displayed in mA.

Also known as “Smart Ranging”, scaling of the SPA² allows the user to set the zero and full scale values of the input from the intended application, without having to connect the unit to any calibration equipment.

Continue with the “SCALE INPUT” if you enabled scaling in the previous menu. To proceed, follow the steps below.

1. At the “SCALE INPUT” display, press *SELECT*.
2. Press *SELECT* at the “INPUT ZERO” parameter and enter the value you want displayed when your input is at zero. Press *SELECT*.
3. Press *SELECT* at the “INPUT FULL” screen. Enter the value you wish displayed when your input is at full scale. Press *SELECT*.

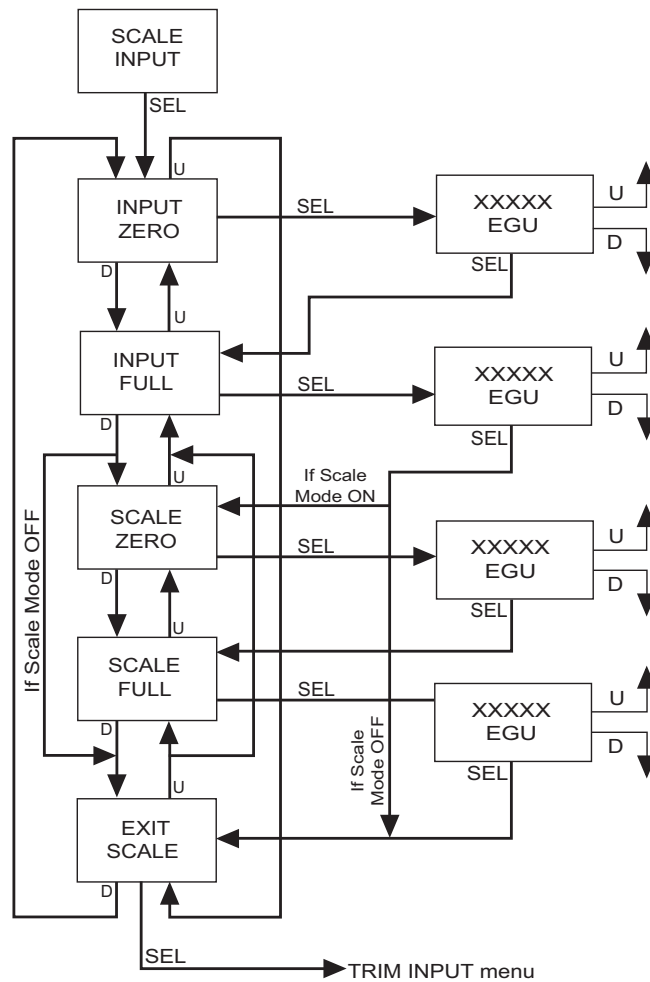
If you selected “SCALE OFF” in the “CONFIG OPTNS” menu, the menu skips to Step 6. If you selected “SCALE ON”, proceed to Step 4.

4. Next, “SCALE ZERO” is displayed. Use the *UP* and *DOWN* buttons to adjust your scaled zero value. This is the value that will be displayed when you are at the zero end of your display range. Press *SELECT*.
5. “SCALE FULL” appears. Press *SELECT* to enter the menu. Enter the value you wish as your full scaled range– the value displayed when you are at the full end of your range. Press *SELECT*.
6. “EXIT SCALE” appears. If all scaling parameters have been set, press *SELECT*. The next menu selection to appear is “TRIM INPUT”.

Figure 4.7. SCALE INPUT Menu

NOTES:

1. When scaling the input, the value displayed represents the actual input.
2. When the SCALE INPUT menu is accessed, the APPLY INPUT menu is skipped and the TRIM INPUT menu appears.



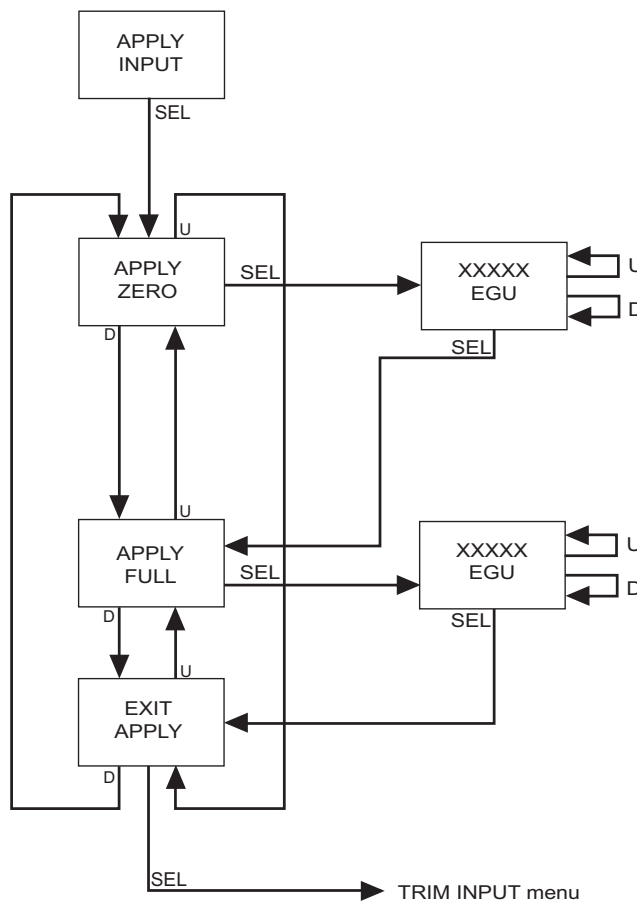
Applying Input (Bench Scaling)

Figure 4.8. gives an overview of the Apply Input menu.

With Bench Scaling, also called “Standard Ranging”, inputs are “captured” at their zero and full scale levels using external, calibrated equipment.

1. At the “APPLY INPUT” screen, press *SELECT*.
2. “APPLY ZERO” appears. Apply the input you wish as your zero and press *SELECT*. Wait until it is flashed on the display and press *SELECT* to capture.
3. Next, “APPLY FULL” is displayed. Apply the value of your full range and press *SELECT*. When this is flashed, press *SELECT* to capture.
4. Press *SELECT* at “EXIT APPLY” and exit the menu.

Figure 4.8. APPLY INPUT Menu



Input Trimming

Figure 4.9. gives an overview of the Input Trimming menu.

Input trimming increases the measurement accuracy of the parameter you are trimming by matching the reading of its actual input to its scaling. The SPA² offers the use of a factory-configured trimming feature ("FCTRY TRIM") or user-set, one-point or two-point ("USER 1PNT" OR "USER 2PNT") trimming.

Unit default is "FCTRY TRIM". If another trimming selection had been made and you wish to return to the "FCTRY TRIM" feature, follow the instructions below.

1. Press *SELECT* at the "TRIM INPUT" SCREEN. Once the "TRIM MODE" appears, press *SELECT*.
2. "FCTRY TRIM" is displayed, press *SELECT*. This takes you to the "EXIT TRIM" screen.
3. To exit, press *SELECT*.

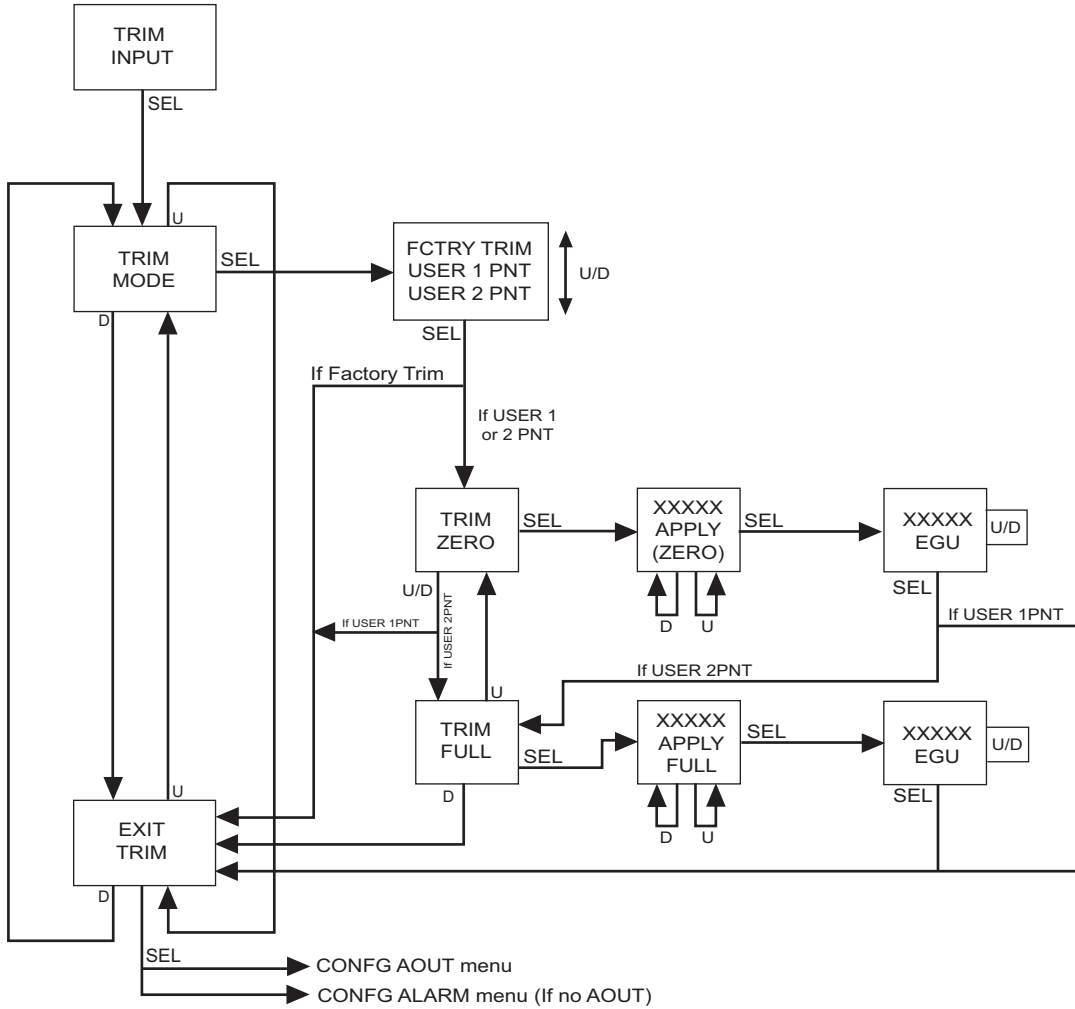
To input user-specific trim values, perform the following steps:

1. At the "TRIM INPUT" display, press *SELECT*. When "TRIM MODE" appears, press *SELECT* again. Use the *UP* and *DOWN* buttons to reach the user-set trimming menus. Press *SELECT* once the desired parameter is displayed– "USER 1PNT" or "USER 2PNT".
2. "TRIM ZERO" appears. To program, press *SELECT*. Your present zero scaling value is shown and prompts you to "APPLY" your value. Press *SELECT*, once your value is present and flashing at the appropriate input terminals, press *SELECT* again. If you selected "USER 1PNT" trimming, "EXIT TRIM" appears. Press *SELECT* to reach the "CONFIG AOUT" menu (or "CONFIG ALARM" menu if the -AO option is not enabled). Proceed to Step 3 for "USER 2PNT" trimming.
3. If you selected "USER 2PNT" trimming, repeat the instructions in Step 2 for the "TRIM FULL" setting. Press *SELECT* when "EXIT TRIM" is displayed to reach the "CONFIG AOUT" menu (or "CONFIG ALARM" menu if the -AO option is not enabled).



Note: Trim only the zero and full values entered in the "SCALE INPUT" menu through the front panel pushbuttons. To trim values other than those specified in the "SCALE INPUT" menu, you must use the PC Configuration Software program.

Figure 4.9. TRIM INPUT Menu



Configuring the Analog Output (-AO Option)

Figure 4.10. gives an overview of the Analog Output Configuration menu.

If your unit is equipped with the -AO option, use this menu for configuration.

1. Press *SELECT* at the “CONFIG AOUT” display. This sends you to the “SEL AOUT” section, now press *SELECT*.
2. Once you reach the “SET DAMP” field, you may skip the damping parameter, by using the *Down* button to reach the next field. To set damping, proceed to Step 3.

Damping– Output Damping allows you to introduce a delay (0-30sec) into the response of your unit in order to stop momentary input variations from setting off alarms.

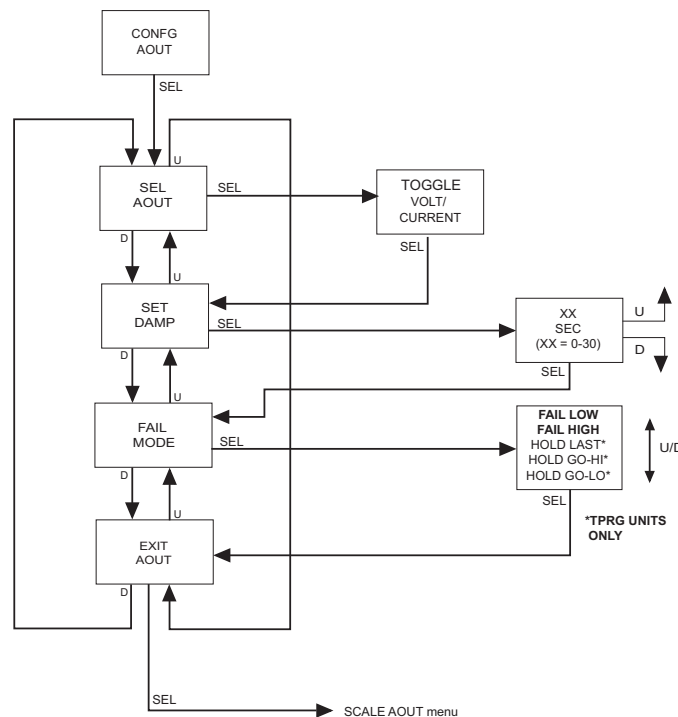
3. To set damping, press *SELECT* at the “SET DAMP” display. Use the *UP* and *DOWN* buttons to enter a value between 0 and 30 seconds; press *SELECT*.
4. Press *SELECT* at “FAIL MODE” to program the setting. Choose “FAIL HIGH” or FAIL LOW” if using HLPARG unit. Choose “FAIL HIGH”, “FAIL LOW”, “HOLD LAST”, “HOLD GO-HI”, or “HOLD GO-LO” if using TPRG unit. This sends you to “EXIT AOUT”.

HIGH/LOW– Choosing either of these options will send the output to a High (23.6mA for current; 11.0V for voltage) or Low (3.6mA for current; -0.5V for voltage), respectively. This can also be translated as 90% of the output’s zero value.

HOLD LAST (TPRG) – This will display the last value present before the failure.

HOLD GO-HI/HOLD GO-LO (TPRG) – This will hold the last value before failure, for a set time, and then return to the High or Low value, depending on configuration.

Figure 4.10. CONFIG AOUT Menu



Scaling the Analog Output (-AO Option)

Figure 4.11. gives an overview of the Analog Output Scaling menu.

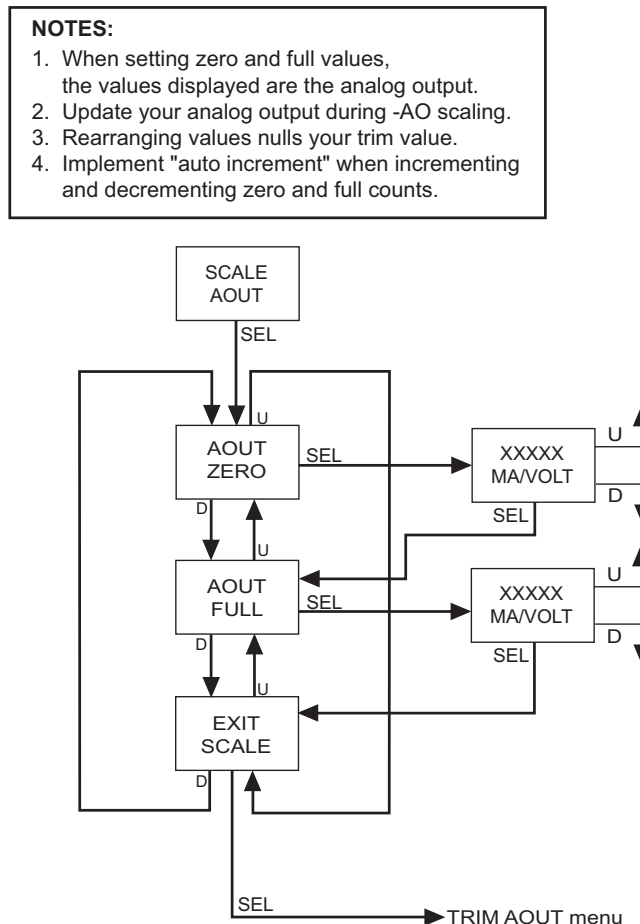
Follow these instructions to scale the analog output after you have performed the configuration.



Note: When using the front panel pushbuttons to enter your scaling values, you may enter only values to one decimal place (tenths). To adjust your value past one decimal place, you must use the PC Configuration Program.

1. At the "SCALE AOUT" display, press **SELECT**.
2. Press **SELECT** at the "AOUT ZERO" parameter and enter the value you want to output when your input is at zero. Press **SELECT**.
3. Press **SELECT** at the "AOUT FULL" screen. Enter the value you want to output when your input is at full scale. Press **SELECT**.
4. "EXIT SCALE" appears. If all scaling parameters have been set, press **SELECT**.

Figure 4.11. SCALE AOUT Menu



Trimming the Analog Output (-AO Option)

Figure 4.12. gives an overview of the Analog Output Trimming menu.

Output trimming increases the measurement accuracy of the SPA² by calibrating its analog output to the device that is receiving the output. This ensures that the instrument is being correctly interpreted.

Connect the unit as shown in Figure 4.13 and allow five minutes for warm up and stabilization.

1. At the "TRIM AOUT" display, press *SELECT*.
2. "TRIM ZERO" appears. Press *SELECT*. The value 0.000 (mA or V depending on the set up) is shown. While monitoring your reading on the meter, use the *UP* and *DOWN* buttons to adjust the output to the desired level. Use the meter in the set up to monitor the output as it is adjusted. When the output is set as desired, press *SELECT*.



Note: *The value on the LCD is the value that must be trimmed in order to adjust to the desired level.*

3. Press *SELECT* at "TRIM FULL" and repeat Step 2. Press *SELECT*. "FCTRY TRIM" is shown on the display.
4. If you wish to **disable** the user-configured trimming values and use factory trimming, press *SELECT* at the "FCTRY TRIM" screen. Use the *UP* and *DOWN* buttons to choose "YES"; press *SELECT*. "TEST AOUT" is brought up on the display.
By selecting "NO" at the "FCTRY TRIM" screen, the user-configured trim values will be used.
5. In order to check output performance and accuracy, you may want to perform an output test. If you choose to enable this test, follow the instructions in Step 6. To bypass this feature, use the *DOWN* button and scroll to "EXIT TRIM".
6. To enable the analog output test, press *SELECT* at the "TEST AOUT" display. Use the *UP* and *DOWN* buttons to set your output test value (this figure must fall within your sensor configuration range value) and press *SELECT*. "EXIT TRIM" appears; press *SELECT*.

Figure 4.12. TRIM AOUT Menu

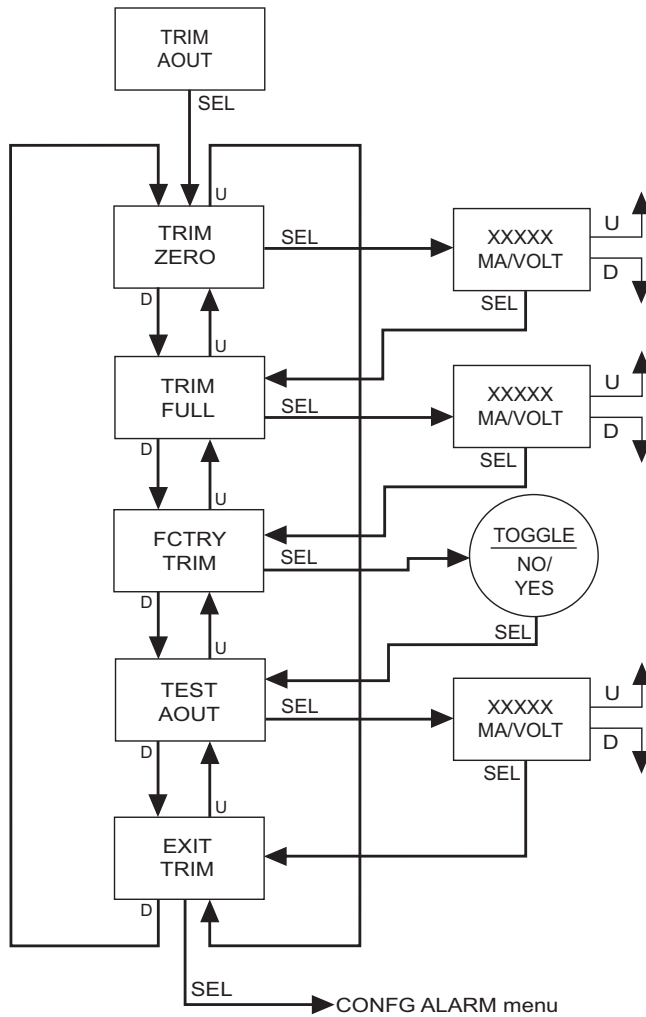
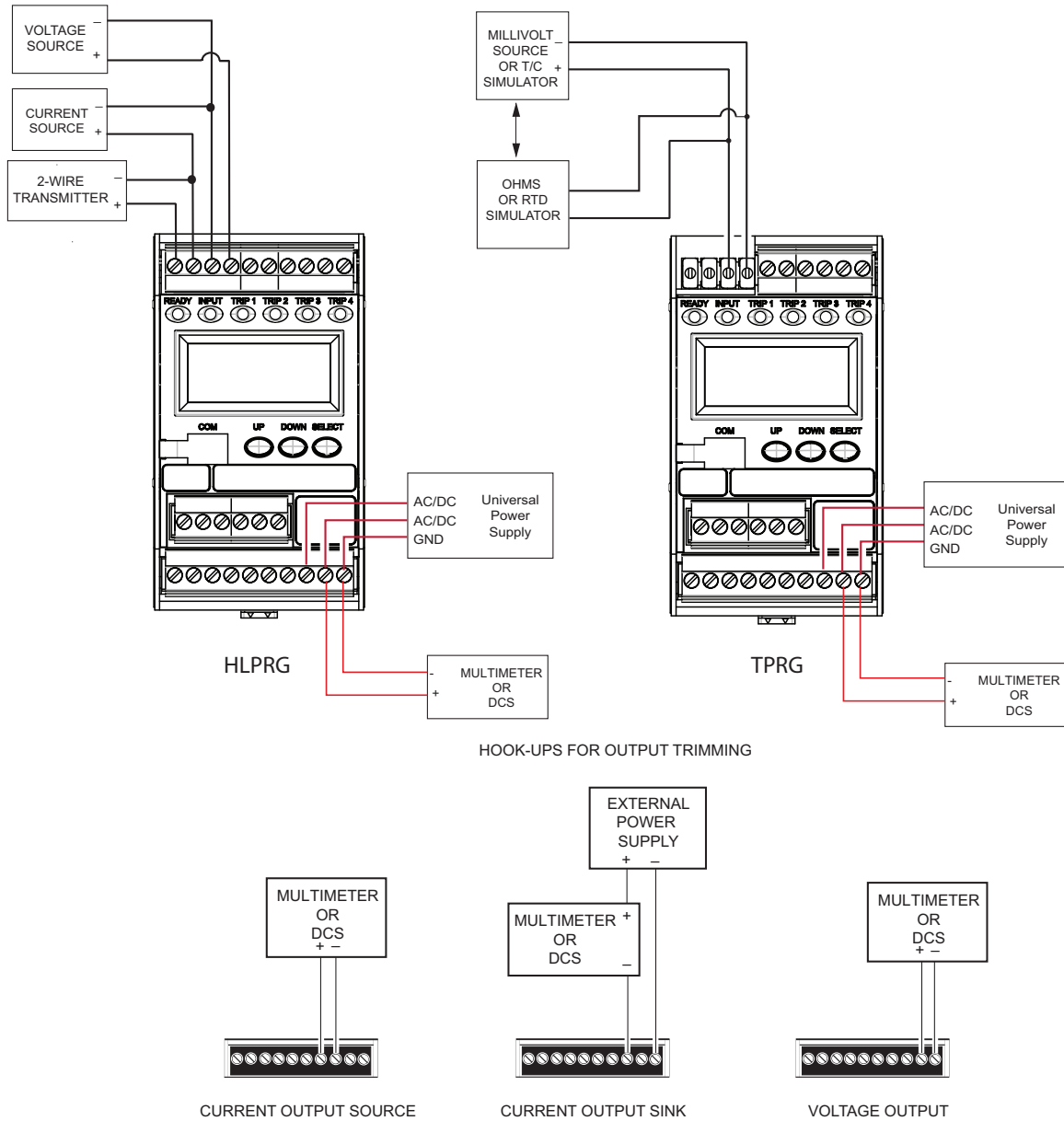


Figure 4.13. SPA² Trimming Hook-Up Diagram For Front Panel Configuration



Configuring the Alarm(s)

The SPA2 offers you up to four alarms which may be configured independently as the following alarm types:

- Trip
- Rate of Change
- Band
- Fault
- Stuck Input
- Copy (Duplicate)



Note: *The Band and Stuck Input Alarms are not available in firmware V3.3 or earlier.*

The instructions will explain the steps to follow in order to set each type of alarm. Depending upon the type of alarm you are setting, you may refer to the section specific to your need at the time. For more information on the alarm types please refer to the Alarm Terminology section in the Introduction.

Trip Alarm Configuration

Figure 4.14. overview of the Trip Alarm Configuration menu.

Trip alarms are used if the user desires an alarm condition if a process value goes above or below a set trip point.

1. At the "CONFIG ALARM" menu, press *SELECT*. Use the *UP* and *DOWN* buttons to toggle between the alarms. When the desired alarm appears, press *SELECT*.
2. At the "ALARM TYPE" menu press *SELECT*. From here you will choose your alarm type. Use the *UP* and *DOWN* buttons to scroll through the selections. Press *SELECT* once "ALARM TRIP" is displayed.
3. At "ENTER TRIP (Smart Ranging)", press *SELECT* and enter your alarm trip value. Use the *UP* and *DOWN* buttons to select your Enter Trip value; press *SELECT*. You also choose to use the *DOWN* button to select "INPUT TRIP (Standard Ranging)" then use the *UP* and *DOWN* buttons to select your Input Trip value.
4. Press *SELECT* at "ENTER DBAND" and enter your dead band value if using dead band. Press *SELECT* once your desired setting appears.

Dead Band– The Dead Band is the range within which an alarm relay remains in an alarm condition even after the monitored process variable input has returned to a safe level, at or below/above the trip point setting.

5. Press *SELECT* at "ENTER DELAY" and input your desired delay time by using the *UP* and *DOWN* buttons.

Delay– When your unit is in an alarm condition, the delay is the amount of time you set (0-120sec) to elapse before a relay trip.

6. Pressing *SELECT* at the "SET HI/LO" menu directs you to configure the alarm as an "ALARM HI" or "ALARM LO". Use the *UP* and *DOWN* buttons to reach your selection and press *SELECT*.

ALARM LO– You are notified if your process input drops below your trip point setting.

ALARM HI– You are notified if your process input exceeds your trip point setting.

7. At the "SET LATCH" display, press *SELECT* and choose "LATCH ON" or "LATCH OFF" using the *UP* and *DOWN* buttons; press *SELECT*.

Latching Alarm– When a SPA² is configured with latching alarms, an alarm condition will not "clear" (the relay will not change state) until the input returns to a non-alarm state **AND** manual reset terminals are shorted.



Note: The alarm latching function is effectively disabled if the manual reset terminals remain shorted.

These manual reset terminals, labeled "MR" are located on the bottom row of the SPA².

8. Press *SELECT* at "SET FSAFE" to enter the menu. Then use the *UP* and *DOWN* buttons to switch from "ALARM FSAFE" to "ALARM NONFS". Make your selection and press *SELECT*.

Fail Safe (ALARM FSAFE)– Will remain in an alarm condition even if power to the unit is removed. Its alarm trip relays are energized whenever the process input is in a non-alarm condition (including any dead band setting). These relays de-energize when the process input trips the alarm.

Non Fail Safe (ALARM NONFS)– With this type of alarm relays are energized whenever the process input is in an alarm condition. These relays de-energize when the process input returns to the reset point (including any dead band).

9. "INPUT FAULT" (HLPGR) or "SENSR FAULT" (TPRG) appears. Select whether or not to enable the input failure alarm by using the *UP* and *DOWN* buttons; press *SELECT*.

Input Fault Alarm (INPUT FAULT)– If enabled, this alarm will notify the user upon a breakdown of input .

10. "RANGE ALARM" appears. Select whether or not to enable the range alarm by using the *UP* and *DOWN* buttons; press *SELECT*. If enabled "LOWER POINT" appears, then use the *UP* and *DOWN* buttons to set your lower point value, press *SELECT*. "UPPER POINT" appears, then use the *UP* and *DOWN* buttons to set your upper point value, press *SELECT*. "EXIT RANGE" appears. Press *SELECT*. "EXIT ALRM*" appears. If range alarm not enabled "EXIT ALRM*" appears.

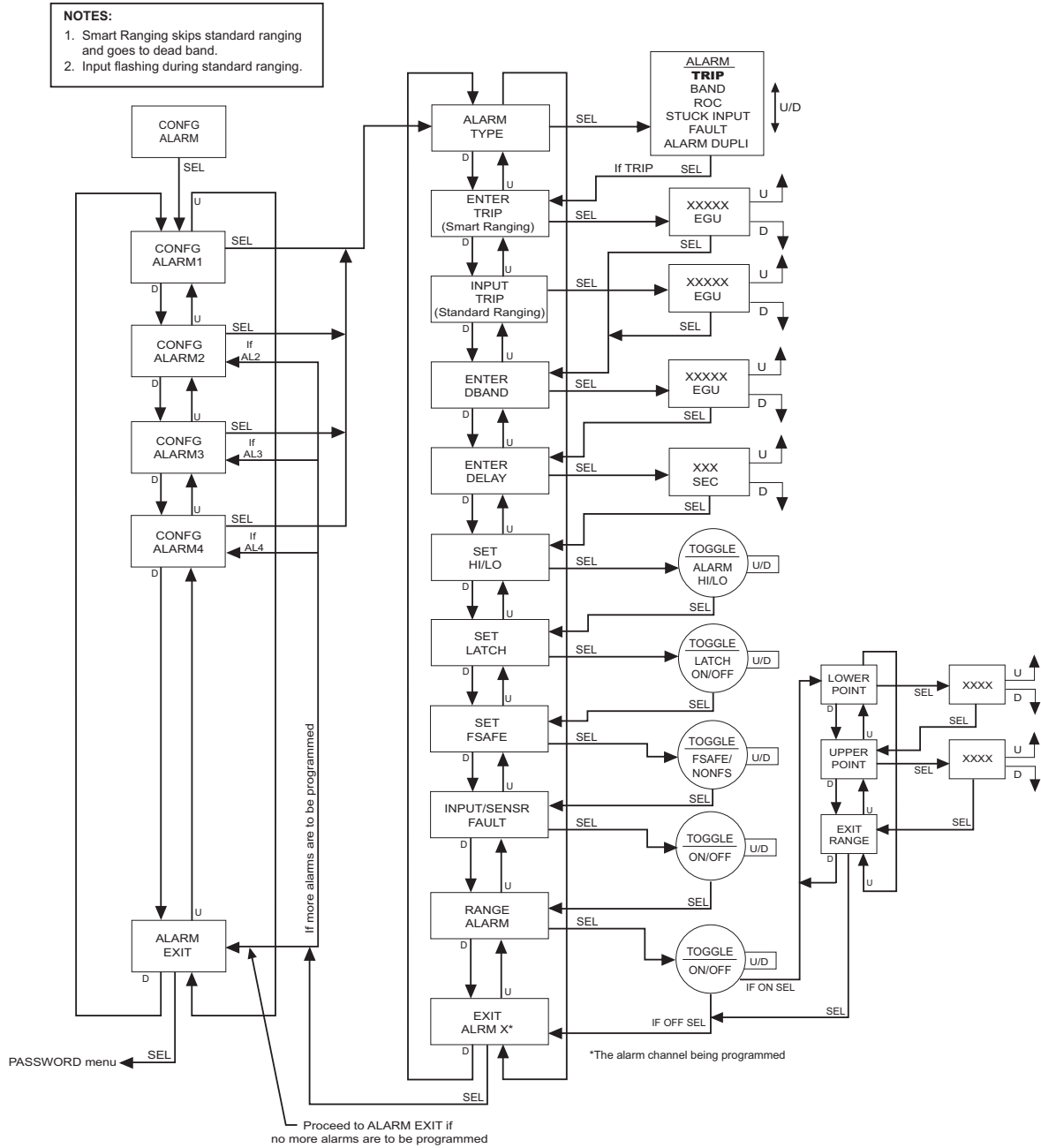


Note: When setting the Range Alarm, the values in Lower Point must be greater than those of the Sensor Lower Limit, and less than those set in Lower Range. When setting the Upper Point, the value must be less than the Sensor Upper Limit, and greater than those set in Upper Range.

11. If you are to program other alarms, use the *UP* and *DOWN* buttons to reach your next alarm and follow the steps described in the appropriate alarm configuration section.

If you have completed your alarm configurations, use the *UP* and *DOWN* buttons to bypass the alarm menu. To exit, press *SELECT* at the "ALARM EXIT" display.

Figure 4.14. CONFIG ALARM MENU (Trip Alarm)



Fault Alarm Configuration

Figure 4.15 gives an overview of the Fault Alarm Configuration menu.

Fault alarms are set in order to notify you of any fault conditions during your process. If you wish an alarm condition when a malfunction occurs, use the Fault Alarm

1. At the "CONFIG ALARM" menu, press *SELECT*. Use the *UP* and *DOWN* buttons to toggle between the alarms. When the desired alarm appears, press *SELECT*.
2. At the "ALARM TYPE" menu press *SELECT*. From here you will choose your alarm type. Use the *UP* and *DOWN* buttons to scroll through the selections. Press *SELECT* once "ALARM FAULT" is displayed.

Below are the configuration options you are given in setting up the fault alarm. You may choose any combination of alarms including all three.

SENSR (HLPRG) / INPUT (TPRG) FAULT– You are notified upon breakdown of your input.

INPUT SAT– Should the input become overloaded or saturated, your alarm would activate.

SPA FAULT– Choosing this parameter activates the alarm at any failure that occurs in the SPA² itself.



Note: Enabling all fault alarm configurations will activate the alarm at any failure that occurs (refer to Table 6.1 in Section 6: Operation and Maintenance of this manual).

3. "INPUT/SENSR FAULT" appears. Press *SELECT* at "INPUT/SENSR FAULT". Dependent upon whether you wish the alarm activated due to an input fault, use the *UP* and *DOWN* buttons to scroll through the "ALARM ON" and "ALARM OFF" options. Once you have made a selection, press *SELECT*.
4. Press *SELECT* at the "INPUT SAT" display. You are given the choice of "ALARM ON" or "ALARM OFF" by using the *UP* and *DOWN* buttons. Choose your setting and press *SELECT*.
5. Next, the "SPA FAULT" menu is displayed. Press *SELECT*. Toggle between "ALARM ON" and "ALARM OFF" by using the *UP* and *DOWN* buttons and press *SELECT* when the setting you desire is displayed.
6. Press *SELECT* at "ENTER DELAY" and enter your desired delay time by using the *UP* and *DOWN* buttons.
7. At the "SET LATCH" display, press *SELECT* and choose "LATCH ON" or "LATCH OFF" using the *UP* and *DOWN* buttons; press *SELECT*.

Refer to the "Trip Alarm Configuration" section for a description of delay and latching alarms.

8. Press *SELECT* at "SET FSAFE" to enter the menu. Then use the *UP* and *DOWN* buttons to switch from "ALARM FSAFE" to "ALARM NONFS". Make your selection and press *SELECT*.

Refer to the "Trip Alarm Configuration" section for a description of fail safe and non fail safe alarms.

- “RANGE ALARM” appears. Select whether or not to enable the range alarm by using the *UP* and *DOWN* buttons; press *SELECT*. If enabled “LOWER POINT” appears, then use the *UP* and *DOWN* buttons to set your lower point value, press *SELECT*. “UPPER POINT” appears, then use the *UP* and *DOWN* buttons to set your upper point value, press *SELECT*. “EXIT RANGE” appears. Press *SELECT*. “EXIT ALRM*” appears. If range alarm not enabled “EXIT ALRM*” appears.

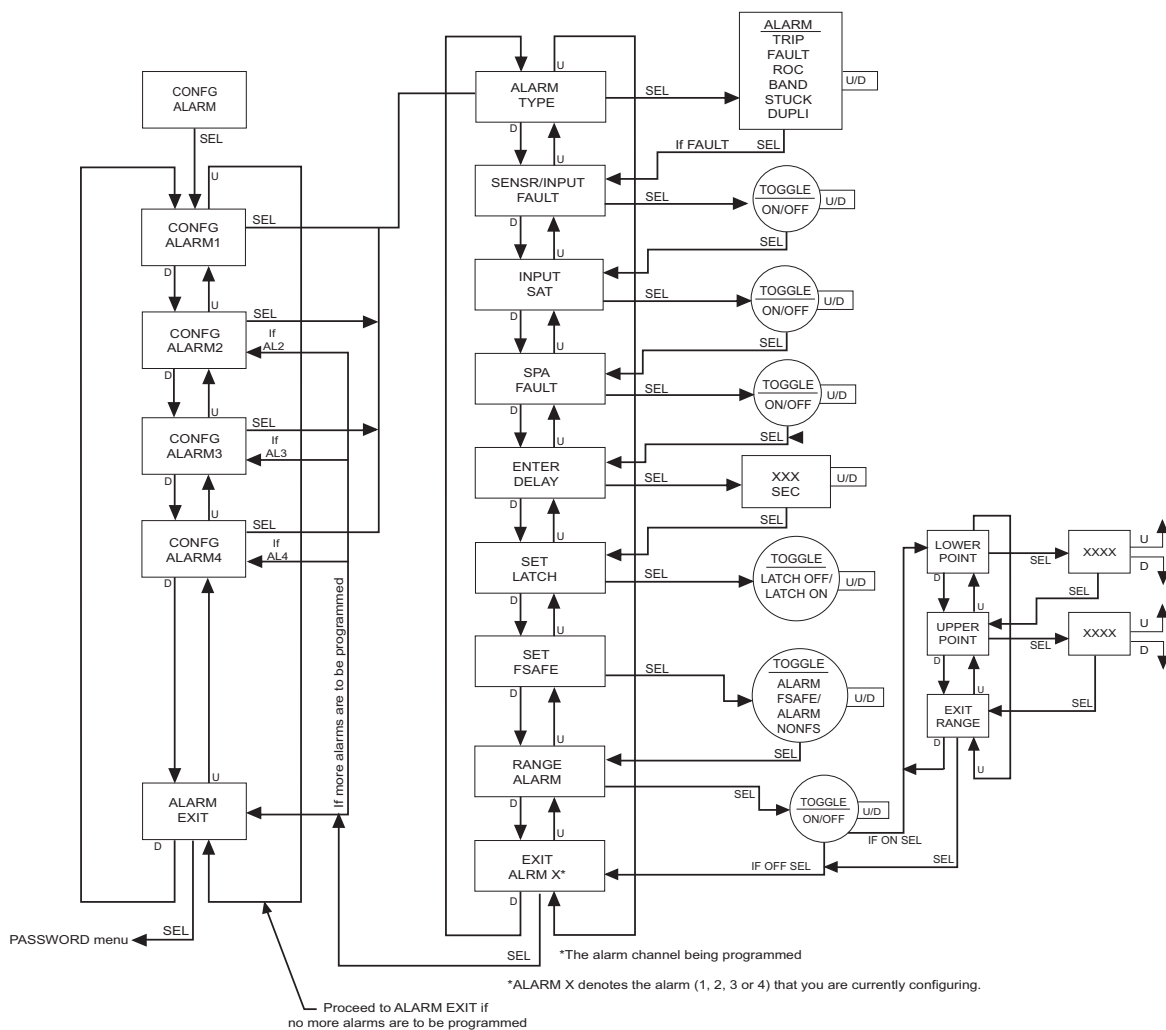


Note: When setting the Range Alarm, the values in Lower Point must be greater than those of the Sensor Lower Limit, and less than those set in Lower Range. When setting the Upper Point, the value must be less than the Sensor Upper Limit, and greater than those set in Upper Range.

- If you are to program other alarms use the *UP* and *DOWN* buttons to reach your next alarm and follow the steps described in the appropriate alarm configuration section.

If you have completed your alarm configurations, use the *UP* and *DOWN* buttons to bypass the alarm menu. To exit, press *SELECT* at the “ALARM EXIT” display.

Figure 4.15. CONFIG ALARM Menu (Fault Alarm)



Rate of Change Alarm Configuration

Figure 4.16. gives an overview of the Rate of Change Alarm configuration menu.

If you wish to be notified when deviations outside of ranges you have set occur, use the Rate of Change Alarm. The alarm will be set according to the rate of change of the process variable over a set time period.

1. At the "CONFIG ALARM" menu, press *SELECT*. Use the *UP* and *DOWN* buttons to toggle between the alarms. When the desired alarm appears, press *SELECT*.
2. At the "ALARM TYPE" menu, press *SELECT*. From here you will choose your alarm type. Use the *UP* and *DOWN* buttons to scroll through the selections. Press *SELECT* once "ALARM ROC" is displayed.
3. At "TRIGR TYPE" press *SELECT* and use the *UP* and *DOWN* buttons to set your trigger type either Fall, Rise, or Both. Press *SELECT*.

Rise – This setting triggers alarm when value rises at a rate that exceeds the set limits.

Fall – This setting triggers alarm when value falls at a rate that exceeds the set limits.

Both – This setting triggers alarm when value either rises or falls at a rate that exceeds the set limits.



Note: In firmware V3.3 or earlier the Rate of Change Alarm cannot be set for Rise or Fall, it is always Both.

4. At "ENTER DELTA" press *SELECT* and use the *UP* and *DOWN* buttons to set your delta value. Press *SELECT*.
DELTA– This is the amount by which the process variable must change.
5. At the "ENTER TIME" menu, press *SELECT*. Using the *UP* and *DOWN* buttons, set the time and press *SELECT*.
TIME– The span (1-60sec) in which the delta must change before the alarm is set.



Note: To set the correct value for DELTA and TIME, you need to understand the input signal noise and input averaging filter settings to prevent false trips.



Note: In firmware V3.3 or earlier TIME can be set from 1to60 seconds but the alarm will actually use a time rounded down to multiples of 5 seconds. For example setting time to 8 seconds will actually use 5 seconds as the time interval.



Note: When configuring a Rate of Change alarm, "LATCH ON" must be selected in the "SET LATCH" menu.

6. At the "SET LATCH" display, press *SELECT* and choose "LATCH ON" using the *UP* and *DOWN* buttons; press *SELECT*.
Refer to the "Trip Alarm Configuration" section for a description of latching alarms.
7. Press *SELECT* at "SET FSAFE" to enter the menu. Then use the *UP* and *DOWN* buttons to switch from "ALARM FSAFE" to "ALARM NONFS". Make your selection and press *SELECT*.
Refer to the "Trip Alarm Configuration" section for a description of fail safe and non fail safe alarms.
8. "INPUT FAULT" appears. Select whether or not to enable the input failure alarm by using the *UP* and *DOWN* buttons; press *SELECT*.

INPUT FAULT Alarm– If enabled, this alarm will notify the user upon a breakdown of input.

9. "RANGE ALARM" appears. Select whether or not to enable the range alarm by using the *UP* and *DOWN* buttons; press *SELECT*. If enabled "LOWER POINT" appears, then use the *UP* and *DOWN* buttons to set your lower point value, press *SELECT*. "UPPER POINT" appears, then use the *UP* and *DOWN* buttons to set your upper point value, press *SELECT*. "EXIT RANGE" appears. Press *SELECT*. "EXIT ALRM*" appears. If range alarm not enabled "EXIT ALRM*" appears.

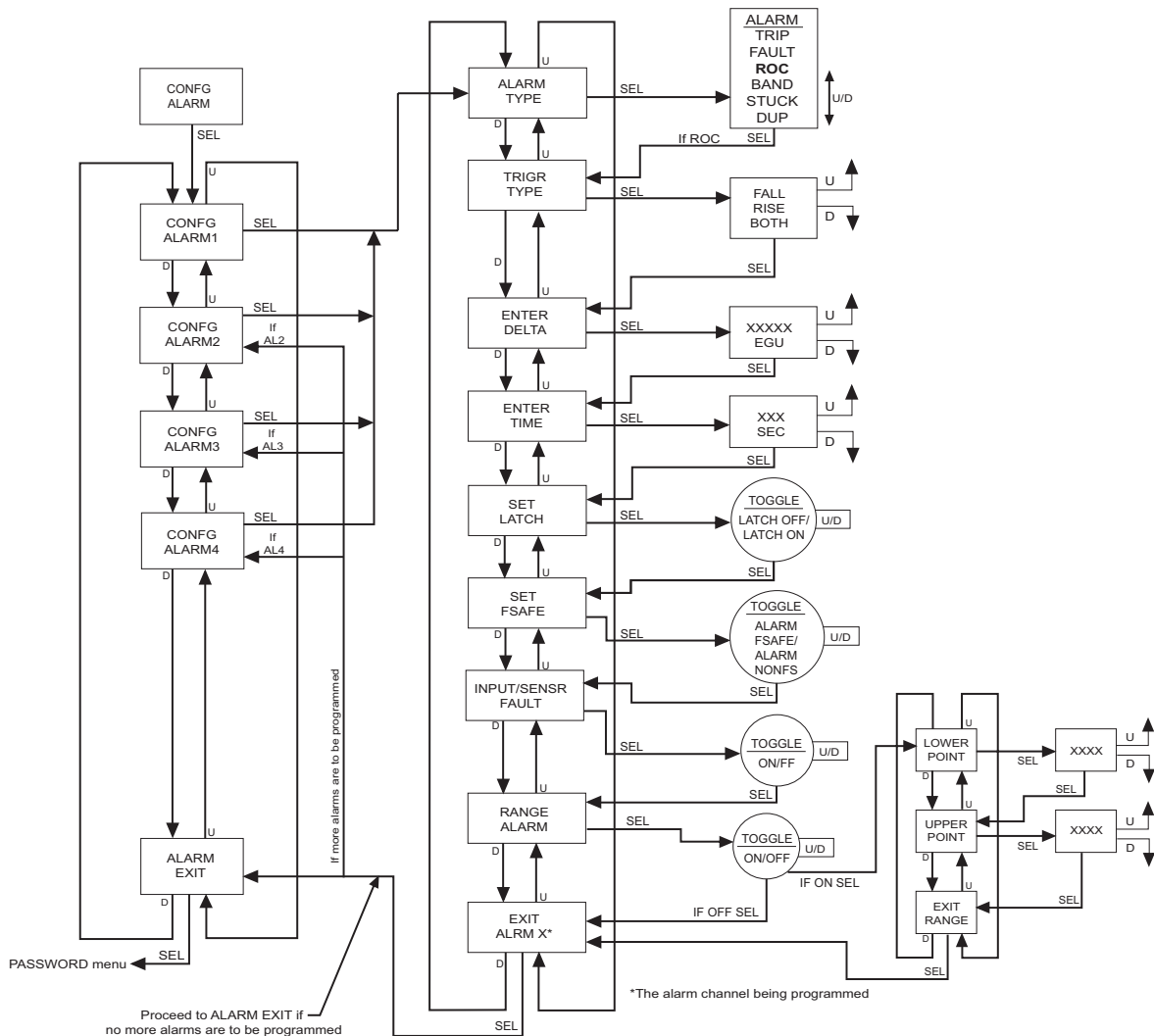


Note: When setting the Range Alarm, the values in Lower Point must be greater than those of the Sensor Lower Limit, and less than those set in Lower Range. When setting the Upper Point, the value must be less than the Sensor Upper Limit, and greater than those set in Upper Range.

10. If you are to program other alarms, use the *UP* and *DOWN* buttons to reach your next alarm and follow the steps described in the appropriate alarm configuration section.

If you have completed your alarm configurations, use the *UP* and *DOWN* buttons to bypass the alarm menu. To exit, press *SELECT* at the "ALARM EXIT" display.

Figure 4.16. CONFIG ALARM Menu (Rate of Change Alarm)



Band Alarm Configuration

Figure 4.17 gives an overview of the Band Alarm configuration menu.



Note: The Band Alarm is not available in firmware V3.3 or earlier.

Band Alarms are used if the user desires an alarm condition if a process value outside of a defined range (lower and upper trip point).

1. At the "CONFIG ALARM" menu, press *SELECT*. Use the *UP* and *DOWN* buttons to toggle between the four alarms. When the desired alarm appears, press *SELECT*.
2. At the "ALARM TYPE" menu, press *SELECT*. From here you will choose your alarm type. Use the *UP* and *DOWN* buttons to scroll through the selections. Press *SELECT* once "ALARM BAND" is displayed.
3. At "ENTER TRIP 1 (TPRG)" or "ENTER LOWER (HLPRG) (Smart Ranging)" press *SELECT* and use the *UP* and *DOWN* buttons to set your ENTER TRIP 1 or ENTER LOWER value, then press *SELECT*. You also choose to use the *DOWN* button instead to select "INPUT TRIP 1 (TPRG) or INPUT LOWER (Standard Ranging)" then use the *UP* and *DOWN* buttons to select your INPUT TRIP 1 or INPUT LOWER value.
4. At "ENTER TRIP 2 (TPRG)" or "ENTER UPPER (HLPRG) (Smart Ranging)" press *SELECT* and use the *UP* and *DOWN* buttons to set your ENTER TRIP 2 or ENTER UPPER value, then press *SELECT*. You also choose to use the *DOWN* button instead to select "INPUT TRIP 2 (TPRG) or INPUT UPPER (Standard Ranging)" then use the *UP* and *DOWN* buttons to select your INPUT TRIP 2 or INPUT UPPER value.
5. Press *SELECT* at "ENTER DBAND" and enter your dead band value if using dead band. Press *SELECT* once your desired setting appears.

Dead Band– The Dead Band is the range within which an alarm relay remains in an alarm condition even after the monitored process variable input has returned to a safe level, at or below/above the trip point setting.

6. Press *SELECT* at "ENTER DELAY" and input your desired delay time by using the *UP* and *DOWN* buttons.

Delay– When your unit is in an alarm condition, the delay is the amount of time you set (0-120sec) to elapse before a relay trip.

7. At the "SET LATCH" display, press *SELECT* and choose "LATCH ON" using the *UP* and *DOWN* buttons; press *SELECT*.

Refer to the "Trip Alarm Configuration" section for a description of latching alarms.

8. Press *SELECT* at "SET FSAFE" to enter the menu. Then use the *UP* and *DOWN* buttons to switch from "ALARM FSAFE" to "ALARM NONFS". Make your selection and press *SELECT*.

Refer to the "Trip Alarm Configuration" section for a description of fail safe and non fail safe alarms.

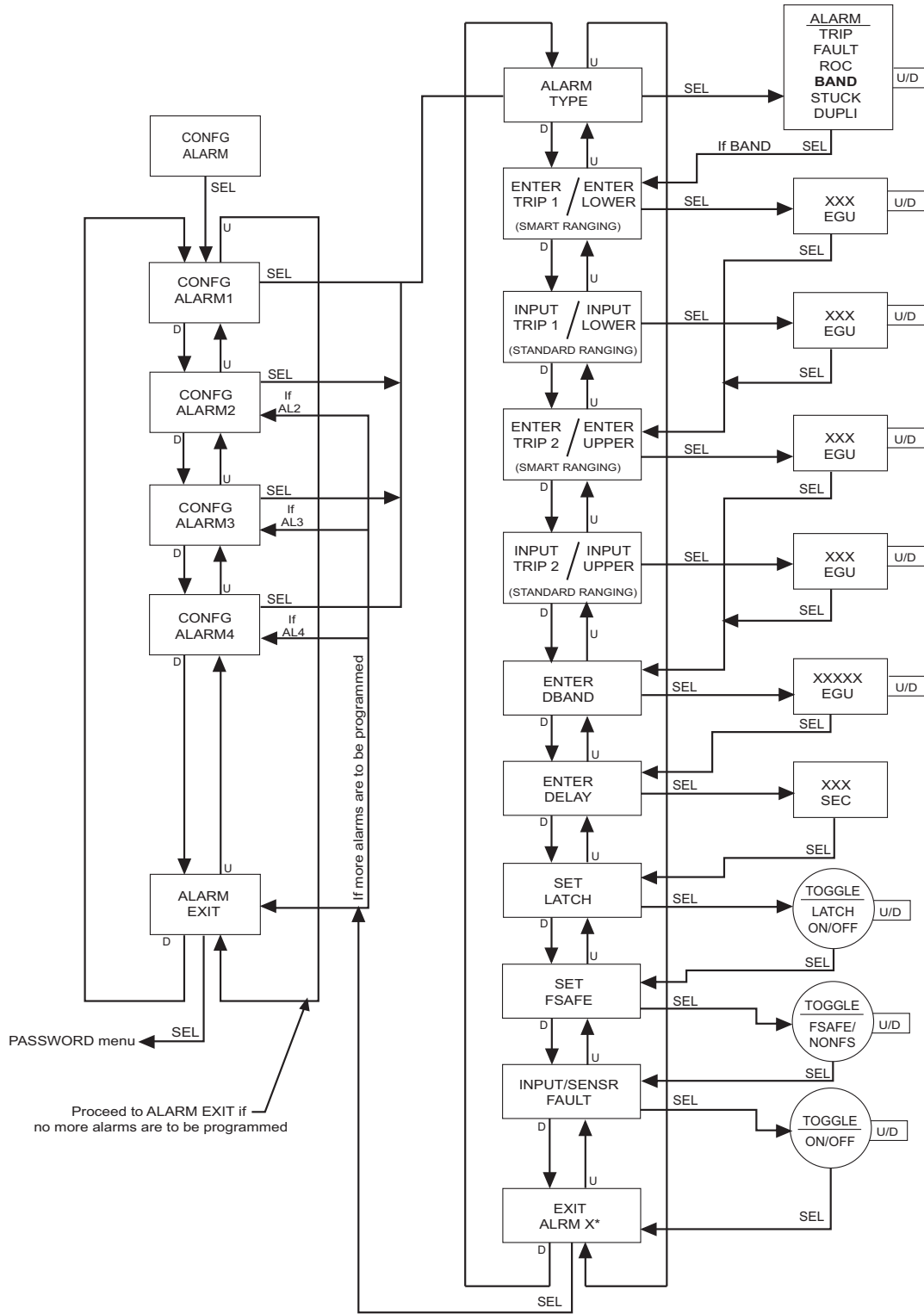
9. "SENSOR/INPUT FAULT" appears. Select whether or not to enable the sensor or input failure alarm by using the *UP* and *DOWN* buttons; press *SELECT*.

Refer to the "Trip Alarm Configuration" section for a description of fail safe and non fail safe alarms.

10. If you are to program other alarms, use the *UP* and *DOWN* buttons to reach your next alarm and follow the steps described in the appropriate alarm configuration section.

If you have completed your alarm configurations, use the *UP* and *DOWN* buttons to bypass the alarm menu. To exit, press *SELECT* at the "ALARM EXIT" display.

Figure 4.17. CONFIG ALARM Menu (BAND Alarm)



*ALARM X denotes the alarm (1, 2, 3 or 4) that you are currently configuring.

Stuck Input Alarm Configuration

Figure 4.18. gives an overview of the Stuck Input Alarm configuration menu.



Note: *The Stuck Input Alarm is not available in firmware V3.3 or earlier.*

If you wish to be notified when an input appears to be 'stuck' use the Stuck Input Alarm. The alarm will be set if the input does not change by the defined amount over a set time period.

1. At the "CONFIG ALARM" menu, press *SELECT*. Use the *UP* and *DOWN* buttons to toggle between the alarms. When the desired alarm appears, press *SELECT*.
2. At the "ALARM TYPE" menu, press *SELECT*. From here you will choose your alarm type. Use the *UP* and *DOWN* buttons to scroll through the selections. Press *SELECT* once "ALARM STUCK" is displayed.
3. At "ENTER DELTA" press *SELECT* and use the *UP* and *DOWN* buttons to set your delta value. Press *SELECT*.

DELTA– This is the amount by which the process variable must change.

4. At the "ENTER TIME" menu, press *SELECT*. Using the *UP* and *DOWN* buttons, set the time and press *SELECT*.

TIME– The span (1-300sec) in which the delta must change before the alarm is set.



Note: *To set the correct value for DELTA and TIME, you need to understand the expected process variations to avoid false trips and the input signal noise and averaging filter settings to prevent missing stuck inputs.*



Note: *When configuring a Stuck Input alarm, "LATCH ON" must be selected in the "SET LATCH" menu.*

6. At the "SET LATCH" display, press *SELECT* and choose "LATCH ON" using the *UP* and *DOWN* buttons; press *SELECT*.
Refer to the "Trip Alarm Configuration" section for a description of latching alarms.
7. Press *SELECT* at "SET FSAFE" to enter the menu. Then use the *UP* and *DOWN* buttons to switch from "ALARM FSAFE" to "ALARM NONFS". Make your selection and press *SELECT*.
Refer to the "Trip Alarm Configuration" section for a description of fail safe and non fail safe alarms.
8. "SENSR/INPUT FAULT" appears. Select whether or not to enable the input failure alarm by using the *UP* and *DOWN* buttons; press *SELECT*.
9. "RANGE ALARM" appears. Select whether or not to enable the range alarm by using the *UP* and *DOWN* buttons; press *SELECT*. If enabled "LOWER POINT" appears, then use the *UP* and *DOWN* buttons to set your lower point value, press *SELECT*. "UPPER POINT" appears, then use the *UP* and *DOWN* buttons to set your upper point value, press *SELECT*. "EXIT RANGE" appears. Press *SELECT*. "EXIT ALRM*" appears. If range alarm not enabled "EXIT ALRM*" appears.

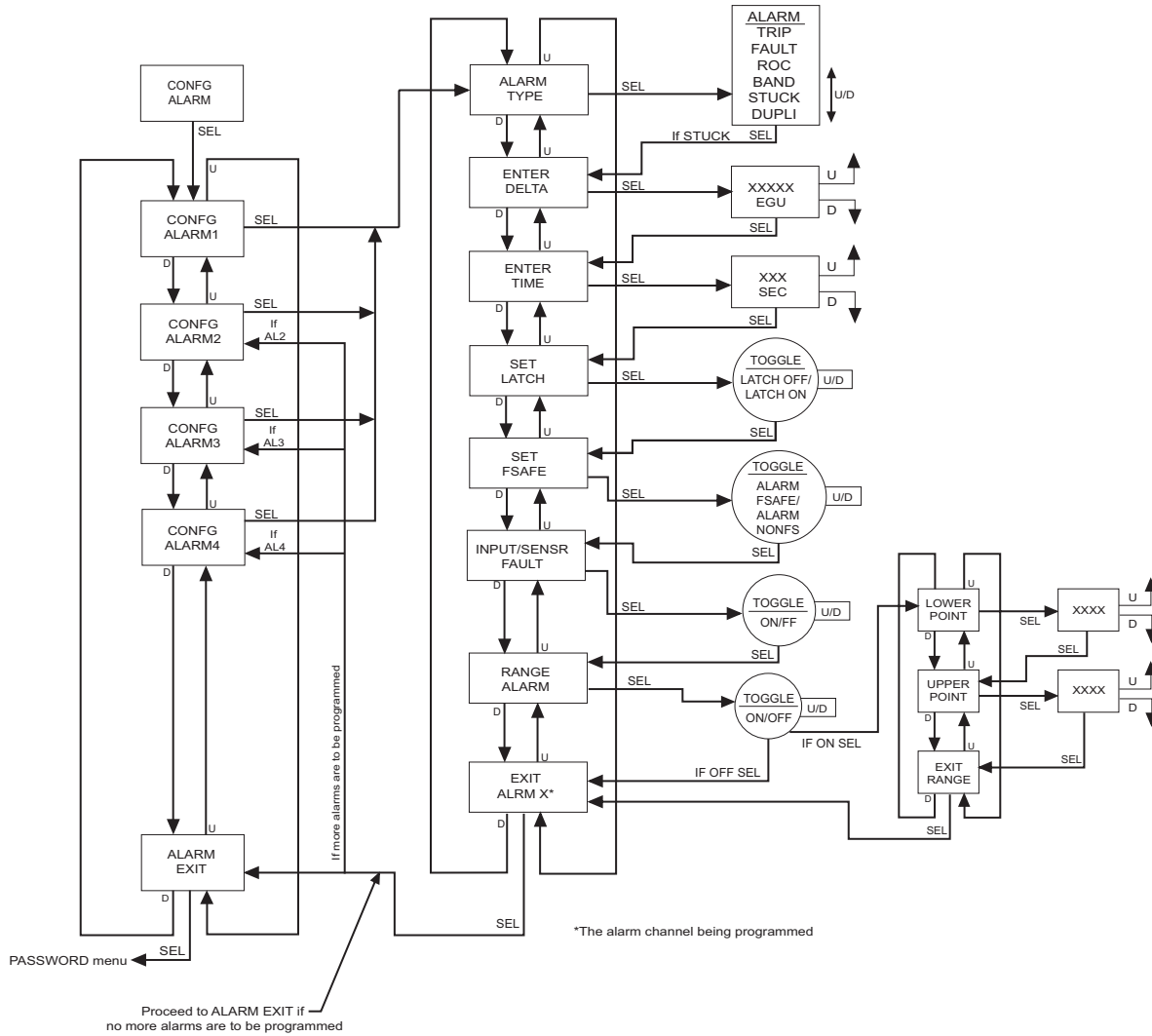


Note: *When setting the Range Alarm, the values in Lower Point must be greater than those of the Sensor Lower Limit, and less than those set in Lower Range. When setting the Upper Point, the value must be less than the Sensor Upper Limit, and greater than those set in Upper Range.*

10. If you are to program other alarms, use the *UP* and *DOWN* buttons to reach your next alarm and follow the steps described in the appropriate alarm configuration section.

If you have completed your alarm configurations, use the *UP* and *DOWN* buttons to bypass the alarm menu. To exit, press *SELECT* at the "ALARM EXIT" display.

Figure 4.18. CONFIG ALARM Menu (STUCK INPUT Alarm)



Duplicate (Copy) Alarm Configuration

Figure 4.19 Gives an overview of the Duplicate (Copy) Alarm configuration menu.



Note: The Duplicate option is not available in firmware V3.3 or earlier.

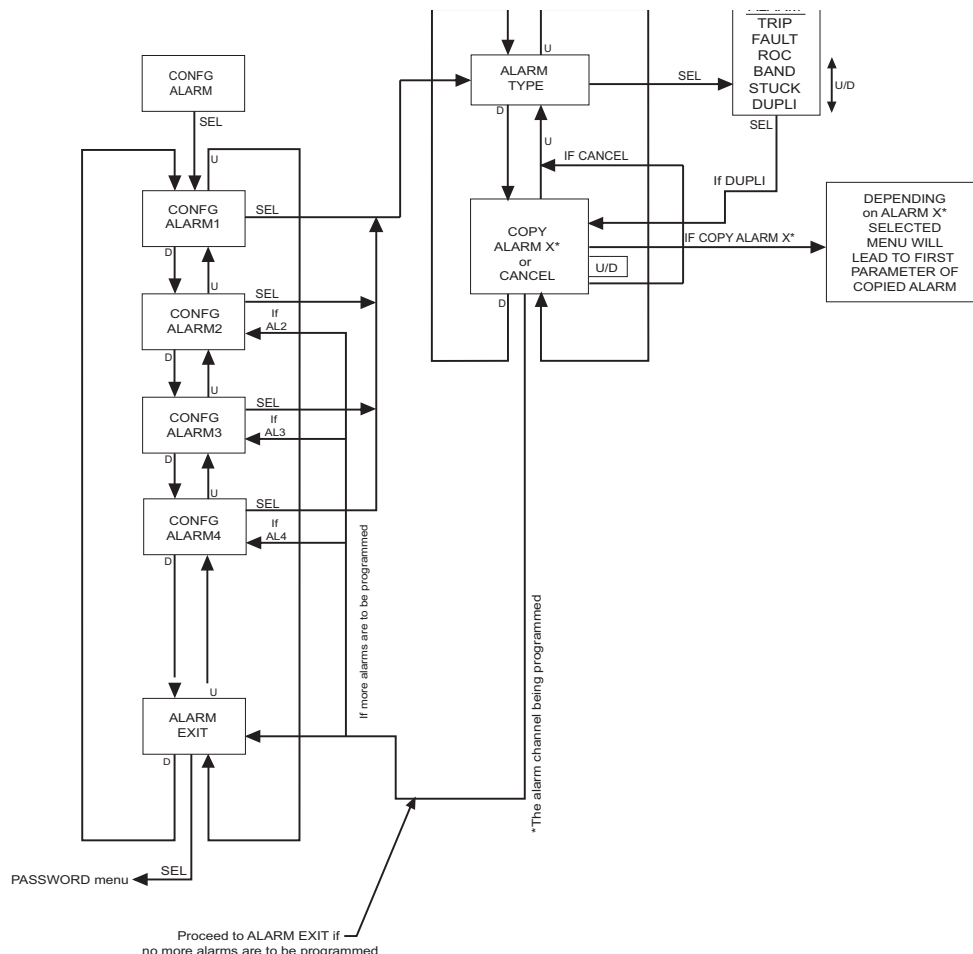
This option is not a new type of alarm. It just provides the facility to make a one time copy of an alarm configuration.

1. At the "CONFIG ALARM" menu, press **SELECT**. Use the **UP** and **DOWN** buttons to toggle between the alarms. When the desired alarm appears, press **SELECT**.
2. At the "ALARM TYPE" menu, press **SELECT**. From here you will choose your alarm type. Use the **UP** and **DOWN** buttons to scroll through the selections. Press **SELECT** once "ALARM DULPI" is displayed.
3. At "COPY ALRMX" press **SELECT** and use the **UP** and **DOWN** buttons to set which alarm to duplicate. Press **SELECT**. You may also **SELECT** "COPY CANCL" to cancel the duplication process.
4. Once you press **SELECT** on any particular alarm the menu will jump top the first parameter for that duplicated alarm and allow you to modify the duplicated parameters.



Note: When using Copy alarm make sure to check that you have updated the settings to the most current. Also be aware that if changes are made to the original alarm from which a duplicate was created, all changes will not be updated to the duplicate alarm if changes are made after the duplication.

Figure 4.19. CONFIG ALARM Menu (DUPLI Alarm, Copy Alarm)



Password Configuration

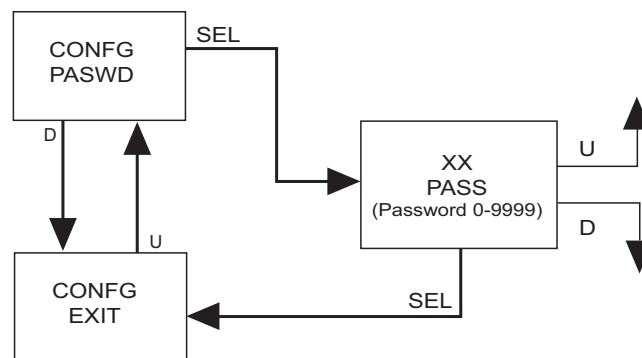
Figure 4.20 gives an overview of the Password Configuration menu.

The password menu is accessible only when the security jumper is installed in the “full access” position (Figure 4.0) or when the password is entered correctly.

The last of your menus, “CONFG PASWD”, is for password configuration.

1. At “CONFG PASWD”, press *SELECT*. This puts you in the “PASS” menu. The previously saved password appears.
2. Use the *UP* and *DOWN* buttons to set a new password to any number between 0 and 9999. Press *SELECT*.
3. The “CONFG EXIT” option appears. Press *SELECT* to return to the process variable display.

Figure 4.20. CONFG PASWD Menu



Note: The password menu is only accessible when either the password is entered correctly or the password jumper is set to 'Full Access' (Figure 4.0).

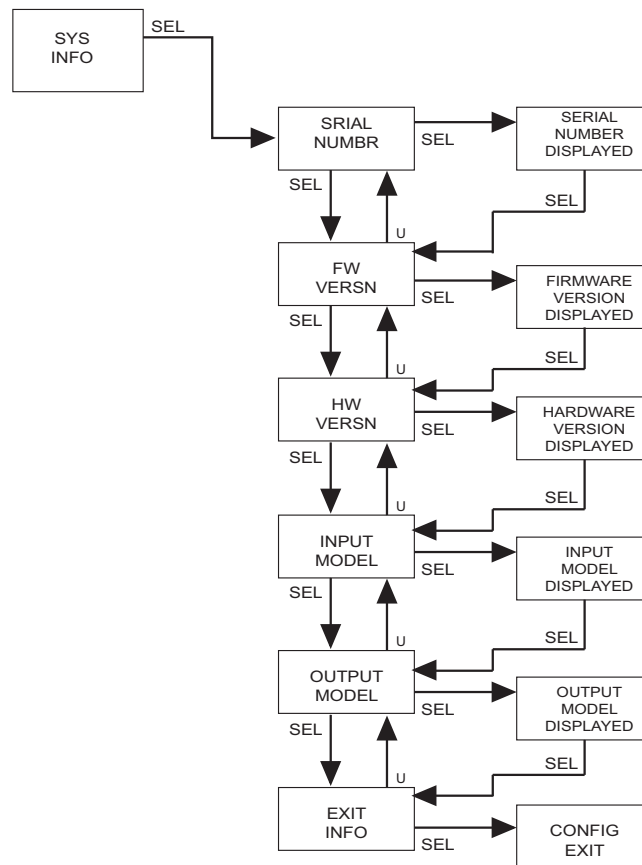
System Information Menu

Figure 4.21. gives an overview of the System Information menu.

This menu provides build information about the unit.

1. At the "SYS INFO" menu, press *SELECT*. Use the *UP* and *DOWN* buttons to toggle between the system information. When the desired information item appears, press *SELECT*.
2. At the "SRIAL NUMBR", press *SELECT*. Here will display the serial number for the unit.
3. At the "FW VERSN", press *SELECT*. Here will display the firmware version for the unit.
4. At the "HW VERSN", press *SELECT*. Here will display the hardware version for the unit.
5. At the "INPUT MODEL", press *SELECT*. Here will display the input model for the unit.
6. At the "OUTPUT MODEL", press *SELECT*. Here will display the output model for the unit.
7. At the "EXIT INFO", press *SELECT*. This will exit the SYS INFO menu and leave you at CONFIG EXIT menu.

Figure 4.21. SYS INFO Menu



Section 5: SPA² PC Configuration Software

One of the benefits of the SPA² is that you may either use the external push button controls to set up the instrument, or use a PC and Moore Industries' Intelligent PC Configuration software.

In using the software program, settings are downloaded to the instrument in the form of a Configuration File and stored in the instrument's memory. You can save a backup copy of the file on your PC hard drive or disk. The SPA² communicates with the PC through our proprietary RS-232 connection to the PC's serial port, or our Fuse Protected USB Communications Cable.



Note: Refer to the QuickStart Guide to see the default factory settings for your unit.

Installing the Configuration Software

Refer to Table 5.1. for the equipment needed.

1. Insert the *Moore Industries Interface Solution PC Configuration Software* CD into the CD drive of the PC. Access the CD and open the "SPA² PC Configuration Software" folder.
2. Double-click the installation program located in the folder. Follow the prompts to correctly install the program.

Once the Configuration Program is installed onto your PC, the SPA² can be connected to equipment to simulate input and monitor output. You can then change the operating parameters of the alarm.

No Alarm Needed

It is not necessary to connect the SPA² to a PC to create configuration files using the software. The Configuration Program can be run without connecting an alarm, and **most** parameters can be set without benefit of input from a sensor or SPA².

This makes it easy to create a set of operating parameters, save them to disk, and download them to one or more instruments at a later time.

The SPA² **must** be connected to the PC in order to: trim input, trim output, assign a tag, perform a loop test, receive (via download) a configuration file, and save the configuration file (via upload) from the SPA² memory.

Connecting the SPA² to the PC

Connect the RS-232 end of the cable to the PC's COM port.

Selecting Model Type

User must select model type when the software is opened without a unit connected as shown below. Unit type is determined by software version and input type. When a unit is connected the software will select the correct type automatically.

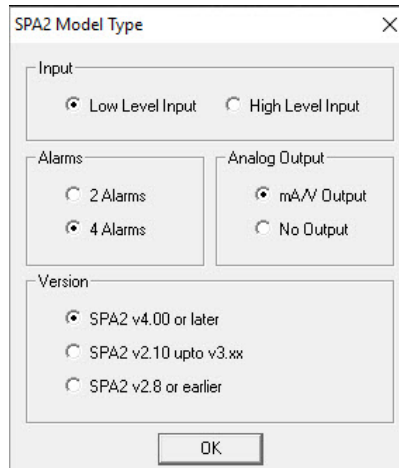
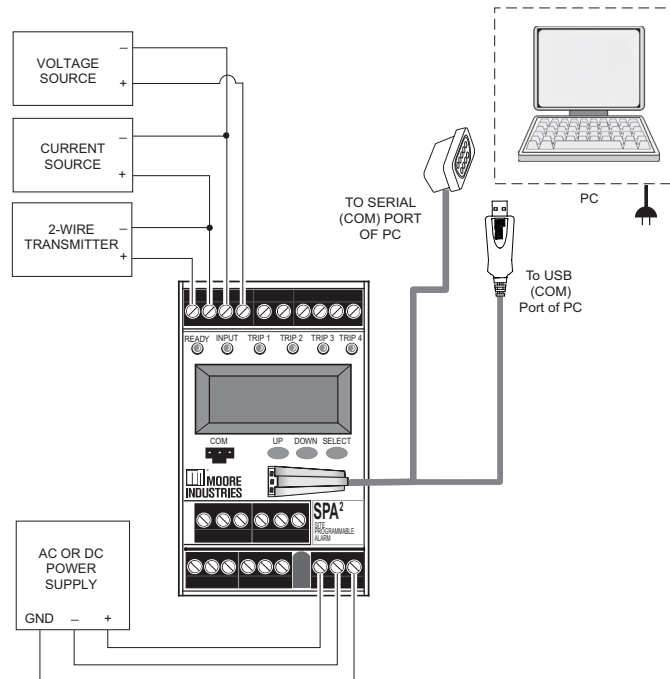


Figure 5.1. SPA² HLPRG Hook-Up Diagram For PC Configuration



HOOK-UPS FOR OUTPUT TRIMMING

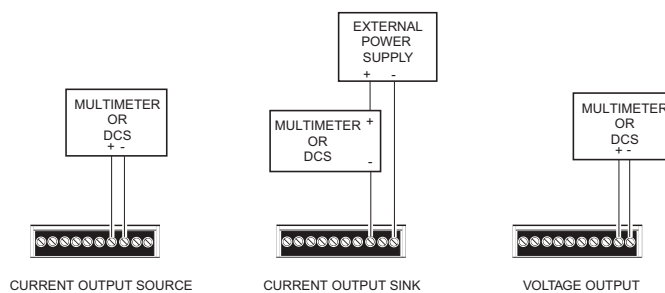


Figure 5.2. SPA² TPRG Hook-Up Diagram For PC Configuration

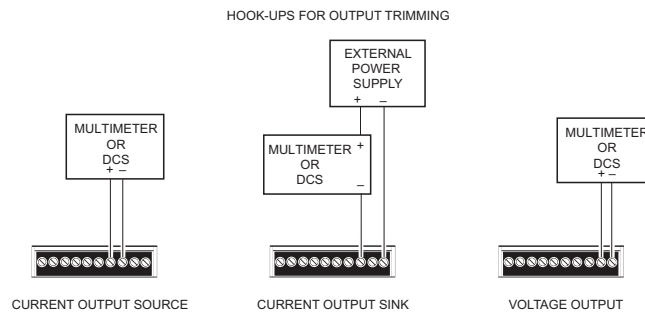
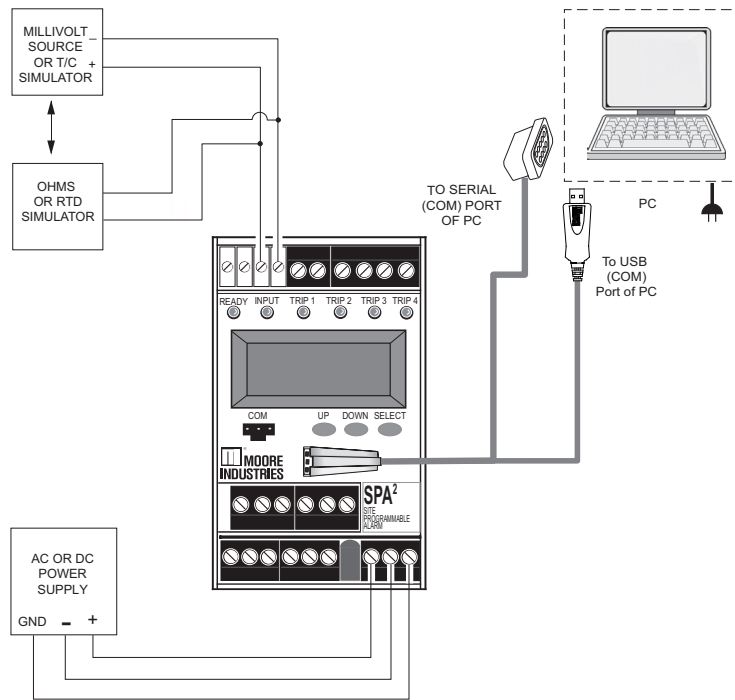
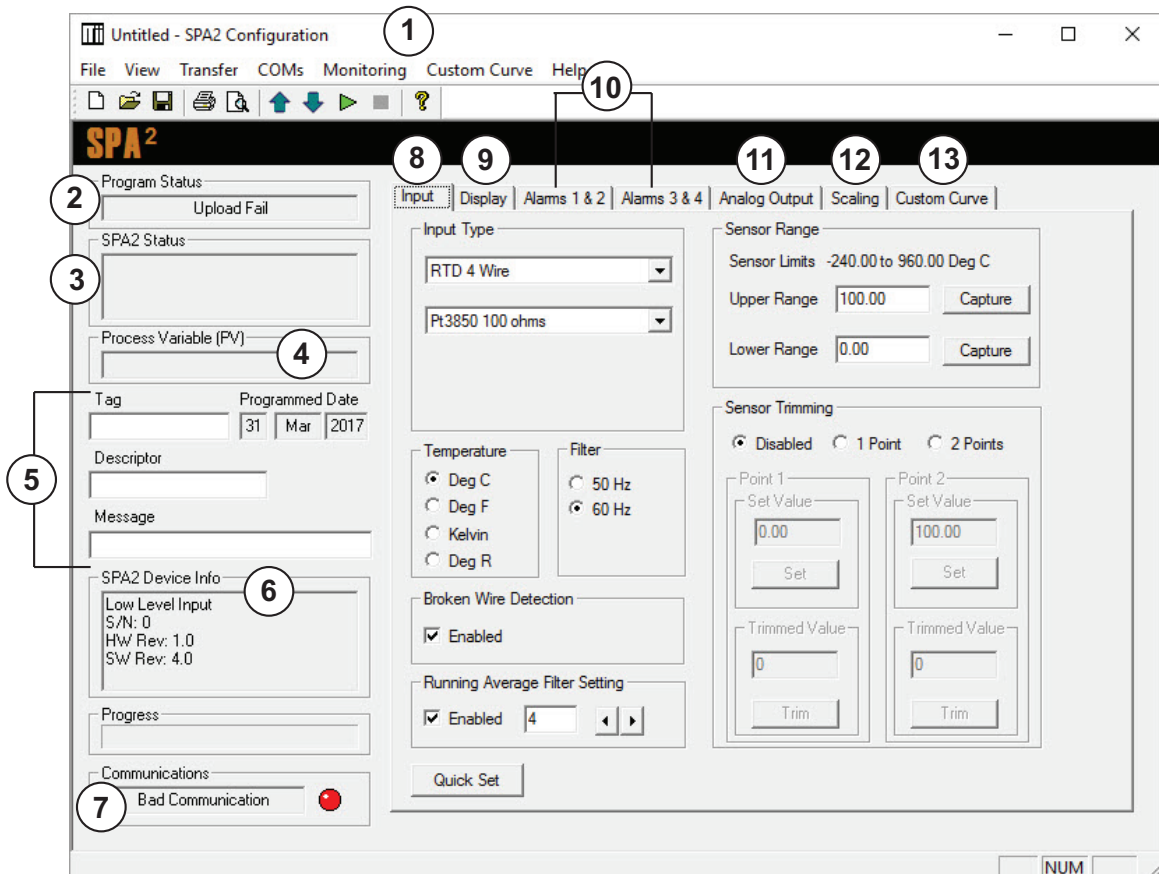


Table 5.1. Necessary Equipment to Configure the SPA²

Device	Specifications
TPRG - Variable Input Simulator for Thermocouple, RTD, Millivolt, Potentiometer, or Decade Resistance Box	Accurate to 0.05% of span for the intended application
HLPRG - Current or Voltage Source	Accurate to 0.05% of span for the intended application
Power Supply	Universal, 21.6-125Vdc/90-260Vac
Multimeter (optional)	Accurate to $\pm 0.009\%$ of span; e.g., HP Model 3478A
Personal Computer	Microsoft Windows based PC; 16Mb free RAM; 20MB free disk space on hard drive Microsoft Windows XP, 7, or 10 1 (one) serial port or one available USB port
Moore Industries PC Configuration Software	Version 1.0 or greater, successfully installed to the hard drive
Communication Cable or USB Cable)	Part# Communications Cable 803-053-26A, USB Cable Part# 804-030-26, or Fuse Protected USB Cable 804-030-26A

PC Configuration Software Summary

Figure 5.3. SPA² Main PC Screen (TPRG version shown)



Once the default configuration has been saved to disk, it is safe to program other parameters. The PC Software is made up of these sections:

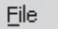













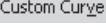

1. **Tool Bar/Status Bar**– Dropdown menus and corresponding icons allow you to perform various functions throughout the PC Configuration Program. Refer to the *Status and Tool Bar Legend* for a complete description.
2. **Program Status**– This portion of the program displays the activity of the connected unit. It will display such messages as: Reading SPA Info, Idle, Monitoring Variables and Monitor Fail.
3. **SPA² Status**– Indicates if there are problems or faults with the instrument.
4. **Process Variable (PV)**– Displays the selected Process Variable.
5. **Identification Parameters**– Use this parameter to place an identifying “Tag” (12 alphanumeric characters max.), “Descriptor” (16 alphanumeric characters max.) or “Message” (32 alphanumeric characters max.).
6. **SPA² Device Info**– This “read-only” display indicates instrument configuration, device identification, hardware revision and software revision.

- 7. Communications**– Notifies user of current PC connection/communications status.
- 8. Input Tab**– Use this tab to set your input parameters. Refer to the *Input* section for a complete description.
- 9. Display Tab**– Used to set up the appearance of the SPA² LCD screen. Refer to the *Display* section for a complete description.
- 10. Alarms Tab (1 & 2 and 3 & 4)**– Alarm parameters are configured using these windows. Alarms 1 & 2 are located in the same window. Alarms 3 & 4 are grouped together in another window. Refer to the *Alarms* section for a complete description.
- 11. Analog Output Tab**– Configuration of the analog output (if your instrument is equipped with the -AO option) is performed here. Refer to the *Analog Output* section for a complete description.
- 12. Scaling Tab**– If you choose to enable the scaling feature, the parameter would be configured at this window. Refer to the *Scaling* section for a complete description.
- 13. Custom Curve Tab**– The SPA² has two modes of operation: linear mode and custom mode. In linear mode, the scaled output is proportional to the scaled input. In custom mode, reached by selecting the *Custom Curve* tab, you define a special linearization function. Refer to the *Custom Curve* section for a complete description.



Note: The Custom Curve parameter can ONLY be configured using your PC and PC Configuration Software Program. It cannot be configured using the front panel push buttons.

Status and Tool Bar Legend

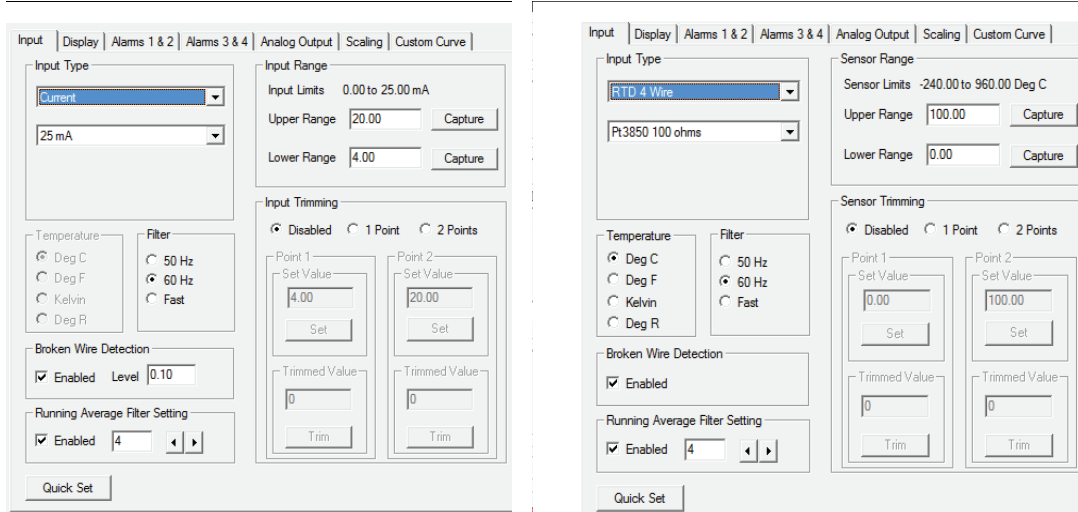
     	Allows such functions as New, Open, Save and Print
	Controls whether Tool and Status Bars are viewed on the screen
  	Allows you to Upload and Download configurations
	Select the PC Port (Com Port) that you will use
  	Allows you to Monitor and Stop monitoring processes
	Provides functions specific to your Custom Curve table
	Displays the version of the SPA ² IS Configuration Program

Configuration Screens



Note: Unless otherwise noted, ensure that the PC Program is idle before making any selections or configuration changes to the parameters and windows of the program. Also, when attempting to download, upload or Quick Set, monitoring must be stopped. To do this, click “Stop” in the Monitoring dropdown menu, or click the “Stop Monitoring” icon.

Figure 5.4. Input Tab



HLPRG

TPRG

Input

Input Type (HLPRG)– Select your input configuration (Current or Voltage) and the respective range of your input.

Sensor Type (TPRG)– Select your sensor type and the respective range of your input.

Filter– This setting is used to configure the input filter. This filter is designed to reduce the effects of mains-induced noise. The input filter frequency value should be set to the frequency of the local AC supply– either 50Hz or 60Hz. For faster response times, the filter may be disabled by selecting “Fast”.



Note: A faster response time can be achieved when selecting the Fast option, but this also will produce a reduced accuracy and increase the possibility of mains-induced noise. Selecting FAST option will also disable the Running Average Filter Setting automatically.

Broken Wire Detection (HLPRG)– The SPA² monitors your process variable. If the monitored value falls equal to or below a set value, then a state of Broken Wire is declared.

1. Check/uncheck the “Enabled” box in order to activate/deactivate Broken Wire Detection.
2. In the “Level” textbox, enter the set value you choose as your limit. The value that you enter must be greater than zero and less than your “Lower Range” value (see *Input Range*).



Note: Broken Wire Detection “BWIRE” can only be set if the Lower Range Value (LRV) is set higher than zero (refer to the “Input/Sensor Range” Setting below).

Broken Wire Detection (TPRG) - The SPA2 TPRG monitors your process variable. If the hardware circuit detects a broken wire condition, then broken wire is declared.

1. Check/ Uncheck the “Enabled” box in order to activate/deactivate Broken Wire Detection.

Running Average Filter Settings– This function is for filtering the input signal. The SPA² provides this filter with a user-selected range between 1 and 64. Factory default is 4. This setting is only available through the PC Configuration Software, and cannot be set using push-button menus on the SPA² unit.



Note: A higher Running Average Filter setting provides smoother output transitions; however, reduces response time. Conversely, a lower setting provides a faster response time, but may seem more unstable. Typical Alarm Response time for Running Average Filter equal to 1 is 256ms. Having the filter on will affect the performance of time based alarms like the Rate of Change and Stuck Alarms.

Input/Sensor Range– Allows you to set your upper and lower range values within the range chosen in the *Input Type* section.

The desired Upper and Lower Range settings can be entered via your PC keyboard or captured. To capture an input, follow the steps below.

1. Apply the desired Upper Range input and press the corresponding “Capture” button.
2. Repeat Step 1 to configure the Lower Range value.


Input/Sensor Trimming– Input Trimming increases the measurement accuracy of your instrument by matching the reading of its actual input to either a calibrated source or the device to which it is connected. This verifies that the input to the transmitter is being interpreted correctly.

You may trim any point between 0% and 100% along the scale. Note that one-point trimming applies an offset to the input reading, while two-point trimming applies both an offset and a gain.

Follow the steps below in order to perform input trimming.

1. Select either “1 Point” (one-point trimming) or “2 Points” (two-point trimming) by clicking the appropriate button. Each pair consists of “Set Value” and “Trim” fields.
2. Enter the values that require trimming into the “Set Value” field and click “Set”.
3. Apply the targeted signal to the input, wait until it settles and click “Trim” to capture the measured value. If you chose “2 Points”, repeat the step above for the second point.



Note: Once you have configured all parameters, download to the unit by selecting “Download” in the Transfer dropdown menu located in the Status Bar. Or, click the  button in the Tool Bar.

You may also use the *Quick Set* feature to configure your *Input* parameters and download the settings.

Configure your parameters and click the *Quick Set* button in the window. The settings you have chosen will be applied and downloaded to your unit.

Display

Figure 5.5. Display Tab

Display Source– By selecting the “Toggle” check box, you can choose to view multiple forms of your display. Your selections will toggle every few seconds to display each setting.

Toggle Mode– Every four seconds your display will toggle between two displays that you choose.


Normal Mode– Displays only your PV, AOUT, or RJC (TPRG only) value, whichever you select.

Use Custom Label– You can choose to assign a specific label, or EGU (Engineering Unit).

1. Check the “Use Custom Label” box.
2. Enter the value you wish viewed into the “Custom Label” text box.

Precision– Select the number of decimal places/resolution of your display.



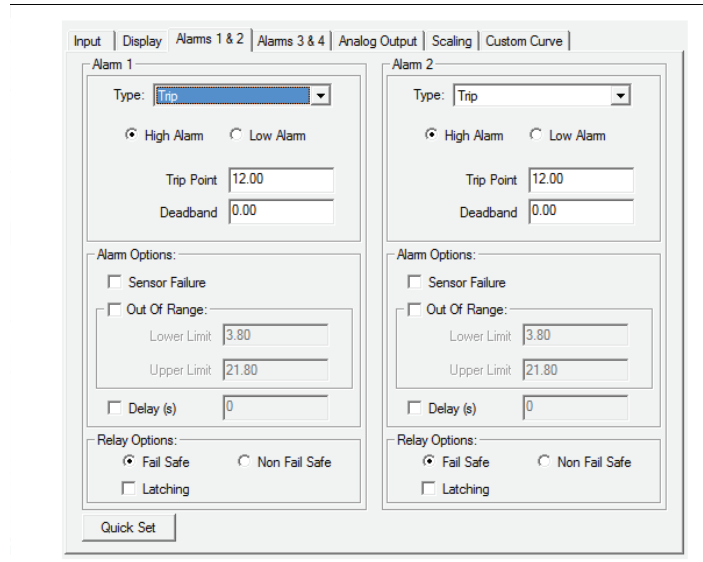
Note: Once you have configured all parameters, download to the unit by selecting “Download” in the Transfer dropdown menu located in the Status Bar. Or, click  button in the Tool Bar.

You may also use the *Quick Set* feature to configure your *Display* parameters and download the settings.

Configure your parameters and click the *Quick Set* button in the window. The settings you have chosen will be applied and downloaded to your unit.

Alarms

Figure 5.6. Alarms Tab



These instructions apply to Alarms 1 through 4.

Type: Select your desired alarm type using the drop-down list.

Trip– Notifies you if your process input drops below or exceeds your trip point setting.

Band– Notifies you when the process input falls outside of your selected range.

Rate of Change– Used if you wish to be notified when deviations occur outside of ranges you have set.

Stuck Input– Notifies you when process input stops changing.

Fault– Alerts the user of a fault whenever one has been sensed.

Dupl (copy) Alarm X– Allows you to automatically copy another specific Alarm setting.



Note: The Band and Stuck Input Alarms are not available in firmware V3.3 or earlier.

For more information on the alarm types please refer to the Alarm Terminology section in the Introduction.

Common Alarm Features:

When selecting Trip, Band, Stuck Input, Fault, or Rate of Change Modes you can additionally select the following alarm features:

Sensor Failure – You are notified upon breakdown of your input.

Out of Range – When selected, you can specify the lower point and upper point in which you

want to be notified when readings occur outside of upper or lower range points you have set. This is not applicable when using Band Alarm.



Note: When setting Out of Range Lower Point the Lower Point must be less than Lower Range Value (set in the Sensor Range section in Input Tab) and greater than the Lower Sensor Limit. Additionally when setting the Out of Range Upper Point the Upper Point must be greater than the Upper Range Value (set in the Sensor Range section in Input Tab) and less than the Upper Sensor Limit.

Delay— When your unit is in an alarm condition, the delay is the amount of time you set (0-120sec) to elapse before a relay trip. Enter your delay time into the “Delay” text box. This is not applicable when using Rate of change or Stuck Input alarms.

Fail Safe/Non Fail Safe— A Fail Safe alarm, if in the alarm condition, will remain in the alarm condition even if power to the unit is removed. Its alarm trip relays are energized whenever the process input is in a non-alarm condition (including any dead band setting). These relays de-energize when the process input trips the alarm.

Non Fail Safe alarm trip relays are energized whenever the process input is in an alarm condition. These relays de-energize when the process input returns to the reset point (including any dead band). To Select a Fail Safe or Non Fail Safe alarm, and click the corresponding button.

Latching— The alarm will latch after being activated and requires a manual reset. Select the “Latching” check box if you choose this alarm type.

Manual Reset

A latching alarm requires a manual reset. There are two connections labeled “MR” on the SPA² top terminal block. These terminals work in-conjunction with the latching alarm function.

When a SPA² is configured with latching alarms, an alarm condition will not “clear”, that is, the relay will not change state, until the input returns to a non-alarm state **AND** these manual reset terminals are shorted.

Note: The alarm latching function is effectively disabled if the manual reset terminals remain shorted.

Trip Alarm

Choosing the Trip Alarm, you are prompted to complete the following fields:

Trip Point— The reference value used for notification.


In choosing your limits you are setting the parameters for your unit to notify you if your process input drops below (Low Alarm) or exceeds (High Alarm) your trip point setting.

1. Select the “High Alarm” or “Low Alarm” button.
2. Enter the value you wish set as the trip point in the “Trip Point” text box.

Dead Band— The Dead Band is the range in which an alarm relay remains in an alarm condition even after the monitored process variable input has returned to a safe level, at or below/above the trip point setting.

1. If choosing to use a dead band value, enter it into the “Dead Band” text box



Note: Once you have configured all parameters, download to the unit by selecting “Download” in the Transfer dropdown menu located in the Status Bar. Or, click the  button in the Tool Bar.



Note: If two alarms have been set with one configured to trip in the case of a broken wire and the other to trip due to another selected parameter and an actual Broken Wire failure occurs, both the **Out of Range** and Broken Wire alarms may trip.

Band Alarm



Note: The Band Alarm is not available in firmware V3.3 or earlier.


The Band Alarm can be configured in one of two ways, selectable by a pair of radio buttons:

Midpoint – When the Midpoint radio button is selected, you are prompted to select the midpoint of your process variable and the maximum deviation from that midpoint that is allowed before the alarm trips.

Low/High Trip Points – When the Low/High Trip Points radio button is selected, you are prompted to enter Low Trip point and High Trip point values. The alarm will activate if the process input goes below the Low Trip point or above the High trip point.

Dead Band– The Dead Band is the range in which an alarm relay remains in an alarm condition even after the monitored process variable input has returned to a safe level, at or below/above the trip point setting.



Note: Once you have configured all parameters, download to the unit by selecting “Download” in the Transfer dropdown menu located in the Status Bar. Or, click the  button in the Tool Bar.



Note: If two alarms have been set with one configured to trip in the case of a broken wire and the other to trip due to another selected parameter and an actual Broken Wire failure occurs, both the **Out of Range** and Broken Wire alarms may trip.

Rate of Change Alarm

The fields below must be configured in order to set up your Rate of Change Alarm properly. The alarm will be set according to the rate of change of the process variable over a set time period.

Rise/Fall/Both– Select **Rise** if you want the alarm to trip on rising input (positive change) only. Select **Fall** if you want the alarm to trip on falling input (negative change) only. Select **Both** if you want it to trip on either falling or rising input (absolute change).

Enter the **Delta** and **Delta Time** (1-60 seconds) to set up the alarm. You may enter a value for Delta of less than one through the PC Configuration Program only. The alarm will trip if the process variable changes by more than the Delta value with the Delta Time.




Note: To set the correct value for Delta and Delta Time, you need to understand the input signal noise and input averaging filter settings to prevent false trips.



Note: For firmware V3.3 or earlier:

- The Rate of Change Alarm cannot be set for Rise or Fall, it is always Both.
- Delta Time can only be set from 1-5, 10, 15, 20, 25, 30, 35, 40, 45, 50, 55, 60 seconds



Note: Once you have configured all parameters, download to the unit by selecting “Download” in the Transfer dropdown menu located in the Status Bar. Or, click the  button in the Tool Bar.

You may also use the **Quick Set** feature to configure your Alarm parameters and download the settings. The settings you have chosen will be applied and downloaded to your unit



Note: If two alarms have been set with one configured to trip in the case of a broken wire and the other to trip due to another selected parameter and an actual Broken Wire failure occurs, both the **Out of Range** and Broken Wire alarms may trip.

Fault Alarm

The Fault Alarm enables the fields outlined below. Select the type of Fault Alarm you require in your application.


Input Saturation– Should the input become overloaded, or saturated, your alarm would activate.

SPA² Failure– Choosing this parameter activates the alarm at any internal failure that occurs.



Note: Enabling all fault alarm configurations will activate the alarm at any failure that occurs (refer to Table 4 in the Error Codes section of this manual).



Note: Once you have configured all parameters, download to the unit by selecting “Download” in the Transfer dropdown menu located in the Status Bar. Or, click  button in the Tool Bar.



Note: If two alarms have been set with one configured to trip in the case of a broken wire and the other to trip due to another selected parameter and an actual Broken Wire failure occurs, both the **Out of Range** and Broken Wire alarms may trip.

Stuck Input Alarm



Note: The Stuck Input Alarm is not available in firmware V3.3 or earlier.


The fields below must be configured in order to set up your Stuck Alarm properly. The alarm will be set according to the minimum change of the process variable over a set time period.

Enter the **Delta** and **Delta Time** (1-300 seconds) to set up the alarm. The alarm will trip if the process variable does not change by more than the Delta value with the Delta Time.



Note: To set the correct value for delta and delta time, you need to understand the expected process variations to avoid false trips and the input signal noise and averaging filter settings to prevent missing stuck inputs.



Note: Once you have configured all parameters, download to the unit by selecting “Download” in the Transfer dropdown menu located in the Status Bar. Or, click  button in the Tool Bar.



Note: If two alarms have been set with one configured to trip in the case of a broken wire and the other to trip due to another selected parameter and an actual Broken Wire failure occurs, both the **Out of Range** and Broken Wire alarms may trip.

Duplicate (Copy) Alarm

This allow you to select and copy settings from any other of the 3 alarms available.



Note: After copying an alarm, changing either the settings in the alarm that was copied from or the alarm that was copied to will not affect the other alarm.

Analog Output

Figure 5.7. Analog Output (-AO) Tab

The screenshot displays the 'Analog Output' configuration tab. It includes sections for:

- Process Variable Range:** Input fields for '4' and '20'.
- Output Range:** Input fields for '4.00' and '20.00 mA'.
- Output Current:** A display field showing '7.048mA'.
- Damping:** A checkbox for 'Enabled' and a numeric input field set to '0'.
- Fail Mode:** Radio buttons for 'High', 'Low', 'Hold Last', 'Hold Last Then High', and 'Hold Last Then Low', along with a 'Hold Time (s)' input field set to '1'.
- Trimming:** Buttons for 'Lower', 'Upper', 'Trim', and 'Unfix Output'.
- Output Test:** A 'Fix current to:' input field set to '3.60' and 'Unfix' buttons.

If your instrument is equipped with the -AO option, proceed with the following instructions:

Process Variable Range– Displays the selected process variable range in the “Measurement Mode” section of the *Input* screen.

Output Range– Sets your output limits.

Set your Output Range. Enter a low and high value .

Damping– Output Damping allows you to introduce a delay (0-30sec) into the response of your unit in order to stop short-lived spikes from setting off alarms.

Select “Enabled” if you choose to use Damping.

Enter your damping time into the “Damping” text box.


Fail Mode– In the case of an input failure, you have the ability to set a mode you choose to alert of the failure.

High/Low– Choosing either of these options will send the output to a High (23.6mA for current; 11.0V for voltage) or Low (3.6mA for current; -0.5V for voltage) fail mode, respectively.

Hold Last (TPRG) – This will display the last value present before the failure.

Hold Go-Hi/Hold Go-Lo (TPRG) – This will hold the last value before failure, for a set time, and then return to the High or Low value, depending on configuration.



Note: Once you have configured all parameters, download to the unit by selecting “Download” in the Transfer dropdown menu located in the Status Bar. Or, click  button in the Tool Bar.

You may also use the *Quick Set* feature to configure your *Analog Output* parameters and download the settings.

Configure your parameters and click the *Quick Set* button in the window. The settings you have chosen will be applied and downloaded to your unit.

Output Current/Voltage – Displays the value presently at your output.

Trimming– Output Trimming increases the accuracy of your instrument by calibrating its analog output to the device that is receiving the output. This ensures that the instrument is being correctly interpreted. Refer to Figure 25 for hook-up.

1. Click the “Lower” button to trim the Lower Output Range.
2. To “fine tune” trimmed values, place the value read on the external multimeter, connected to your instrument for trimming, in the “Measured Loop Current” text box and click “Trim”.
3. Click the “Upper” button and repeat Step 2 to trim the Upper Output Range.
4. Once you have performed your output trimming, click “Unfix”.



Note: Do not click the “Reset” button in the Trimming menu unless you want to disregard your trimmed values and return to the manufacturer’s trim values.

Output Test– This test may be performed in order to check output performance and accuracy and to trim other instruments in your setup. Your output will be a current value, in mA, or a voltage equal to the value you enter into the text box. You can check the other devices on the system and calibrate them to this signal.

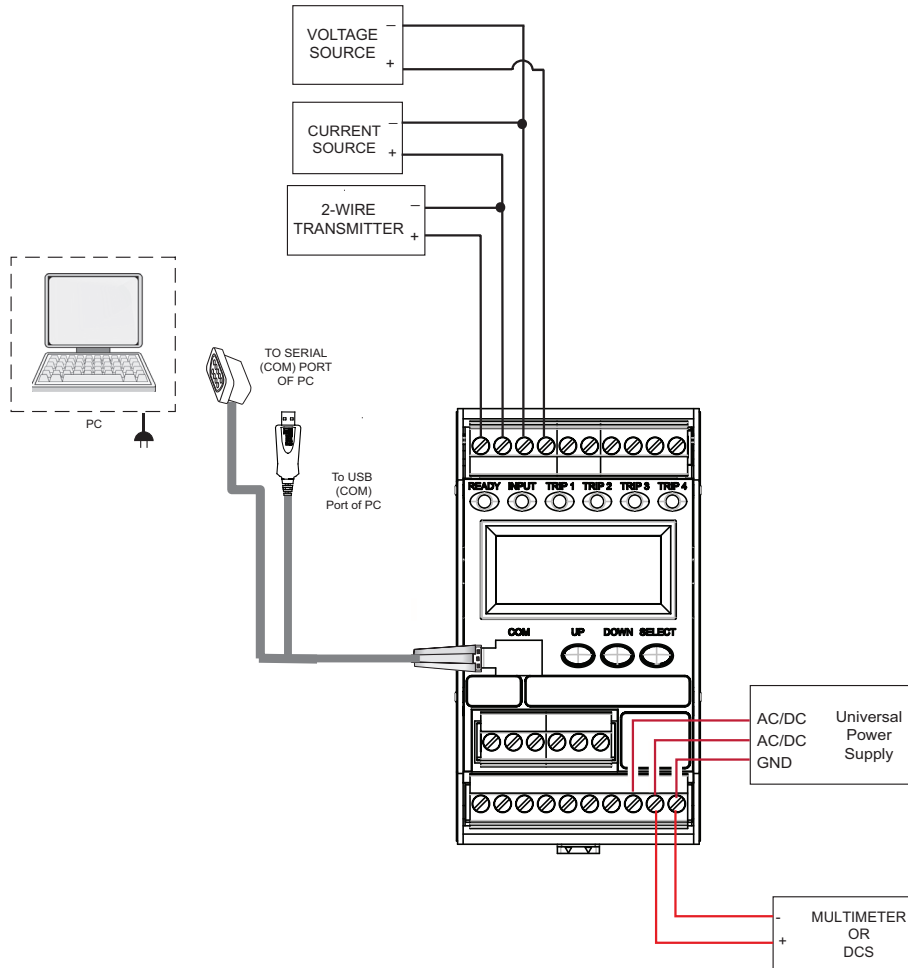
This feature is independent of the input. If you find that the output requires adjustment, you may perform the Trimming function.

1. Ensure that SPA² monitoring is stopped. In the “Fix current/voltage” text box, enter a value between 0-20mA (for current) or 0-10V (for voltage) and click the “Fix” button.
2. Return to monitoring the SPA². You will see the “fixed” value in the “Output Current/Voltage” display and on the external multimeter.
3. Once you have finished, click “Unfix”.



Note: While performing Analog Output Trimming functions, you may notice a message in the “SPA² Status” display reading “**OUTPUT FIXED**”. Clicking the “Unfix” button will clear this message.

Figure 5.8. SPA² HLPRG Trimming Hook-Up Diagram For PC Configuration



HOOK-UPS FOR OUTPUT TRIMMING

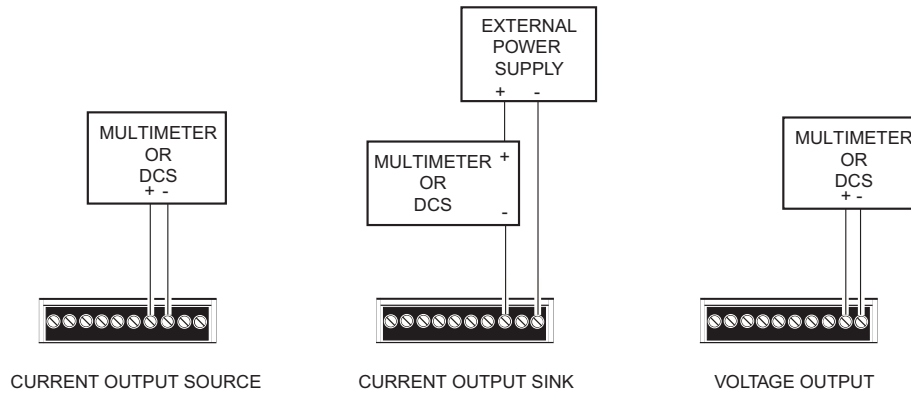
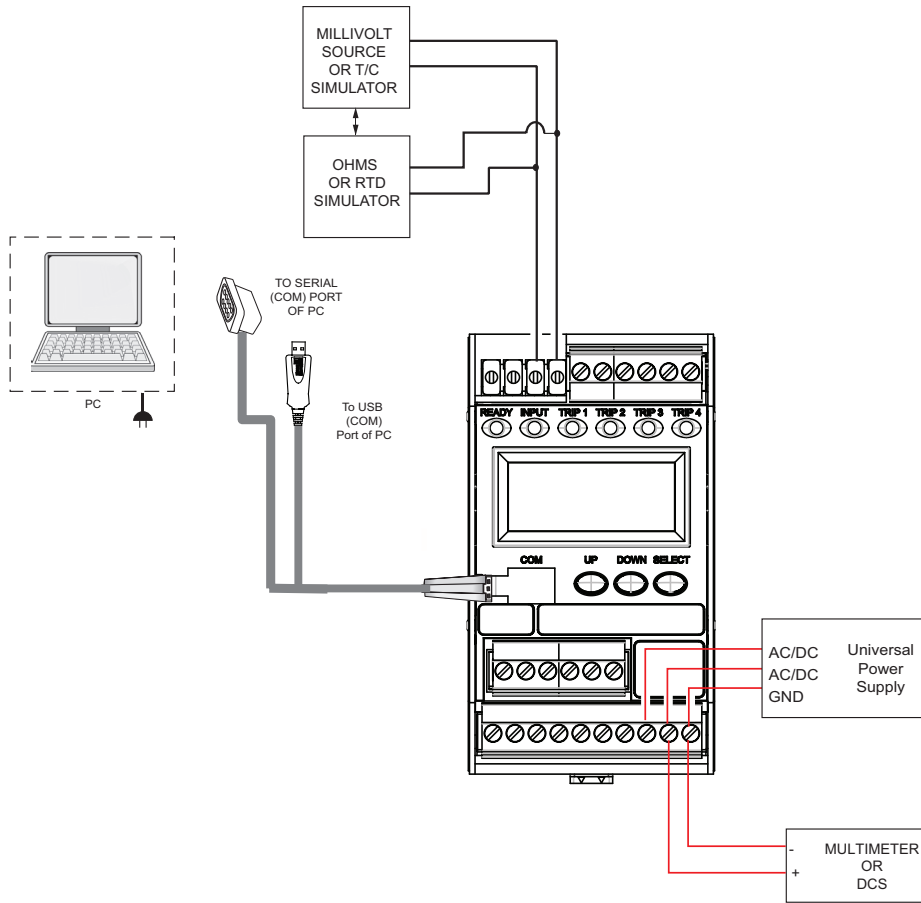
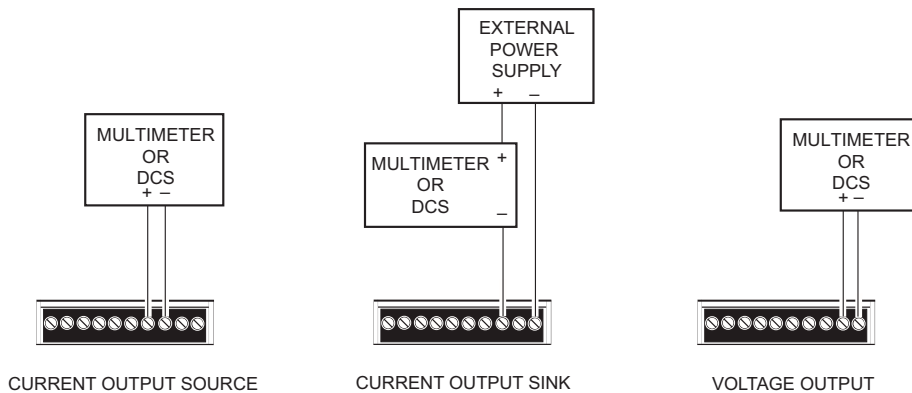


Figure 5.9. SPA² TPRG Trimming Hook-Up Diagram For PC Configuration

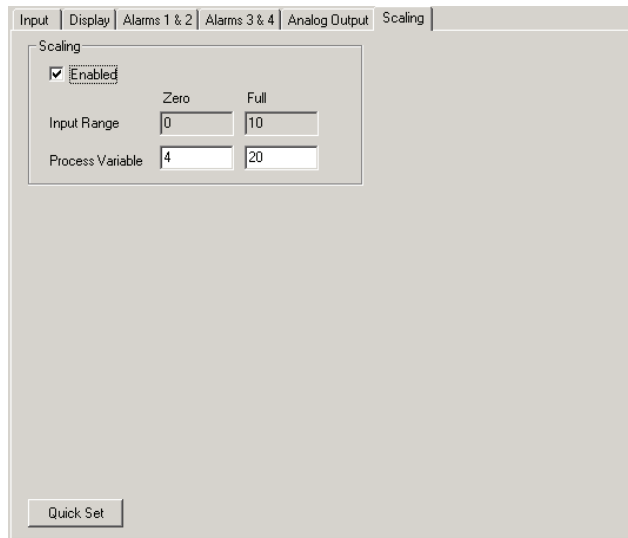


HOOK-UPS FOR OUTPUT TRIMMING



Scaling

Figure 5.10. Scaling Tab



Note: Using the Scaling feature will disable the Custom Curve capability. Since both are scaling features used to manipulate the appearance of your process variable, only one of these functions may be used at a time.

Scaling– This allows you to customize your display for your application. By example: if your process is sending a 4-20mA signal to the SPA² and you wish to view the input as 0-100% then this can be accomplished with the Scaling feature.

To scale your instrument, perform the following steps.


1. Click the “Enabled” check box.
2. The “Input Range” boxes (in the *Scaling Tab*) will display the range selected in the “Input Range” section of the *Input* screen.
3. In the “Process Variable” text boxes, enter the values you wish displayed when your input is at its Lower Range and Upper Range.

Once downloaded, your unit will display the scaled values on its LCD.



Note: In our above example, you may also wish to go to the Display screen and click on “Use Custom Label” and enter “PCT” (percent) as your new label.



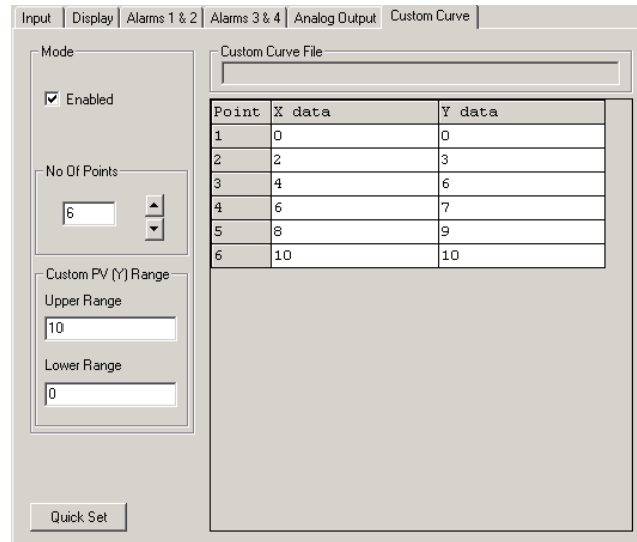
Note: Once you have configured all parameters, download to the unit by selecting “Download” in the Transfer dropdown menu located in the Status Bar. Or, click  button in the Tool Bar.

You may also use the *Quick Set* feature to configure your *Scaling* parameters and download the settings.

Configure your parameters and click the *Quick Set* button in the window. The settings you have chosen will be applied and downloaded to your unit.

Custom Curve

Figure 5.11. Custom Curve Tab



Point	X data	Y data
1	0	0
2	2	3
3	4	6
4	6	7
5	8	9
6	10	10



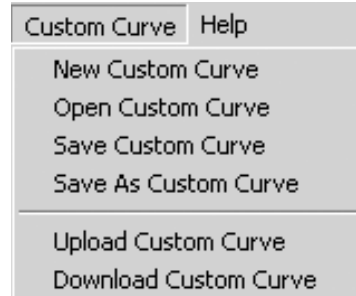
Note: Using the Custom Curve feature will disable the Scaling capability. Since both are scaling features used to manipulate the appearance of your process variable, only one of these functions may be used at a time.


Custom Curve—The Custom Curve feature allows you to set up your own custom curve table. This allows you to tell the transmitter what it should output when it receives a certain input. This feature also allows you the ability to write a table in Microsoft® Excel, save it in a .csv format, and import it into the Configuration Software. This makes it simple to save the custom table for downloading to multiple units or for backup purposes.

To create a custom curve:

1. Click the “Enabled” box .
2. Select the number of points for your curve (128 points maximum) and enter it into the “No Of Points” text box.
3. In the “Custom PV (Y) Range” text boxes, enter the values you wish displayed when your input is at its upper and lower ranges.
4. Type your individual values in the X and Y columns. Source variables are inserted into the X Column while the corresponding data is inserted into the Y Column. Note that X column values must be entered in ascending order, otherwise the Custom Curve will not load.
5. After all of your data has been entered, you must use the *Custom Curve* dropdown menu to save your newly created custom table (“Save Custom Curve”) and to download it to your SPA² (“Download Custom Curve”). See Figure 5.12.

Figure 5.12. Custom Curve Dropdown Menu



Note: Once you have configured all parameters, download to the unit by selecting “Download” in the Transfer dropdown menu located in the Status Bar. Or, click  button in the Tool Bar.

You may also use the *Quick Set* feature to configure your *Custom Curve* parameters and download the settings.

Configure your parameters and click the *Quick Set* button in the window.



Note: When the Custom Curve feature is enabled for your unit, the SPA² will display “CC” in the lower left corner of its LCD.

Section 6: Operation and Maintenance

Operation

Once calibrated, installed, and supplied with the correct power, the SPA² begins to operate immediately. Depending upon environmental conditions, it can be expected to operate unattended for extended periods of time.

The SPA² has a high level of diagnostic capability to continually monitor itself and its input. If problems are encountered the SPA² will provide messages on it's display.

For a full list of diagnostic messages and corrective actions please refer to Table 6.1 .

Table 6.1. SPA² Display Diagnostic Messages

Error Message	What it Means	What to Do
*ERROR ADC	ADC watchdog failure	Cycle power to the unit, and if the error occurs again, return the unit to the factory for service.
*ERROR RAM	EEPROM Error - The internal processor failed	
*ERROR CALIB	Calibration data bad - The factory-set calibration of the unit has failed to initialize	
*ERROR CKSUM	Configuration or calibration data checksum mismatch	
*ERROR BLANK	EEPROM blank	
*ERROR SPA2	Other or combination of errors	
*ERROR RJC	Reference Junction Compensation Resistor Burnout	
*ERROR WDOG	Watchdog failure	
*ERROR SWDOG	Software Watchdog failure	
ERROR OUT OF LIMIT	The input is out of the custom table or RTD/TC table limits	Check input signal to ensure that it is within table limits.
ERROR UNDER RANGE or ERROR OVER RANGE	Process variable out of range (<-99999 or >+99999)	Check input signal to ensure that it is within sensor limits.
ERROR INSAT	Input saturation condition (reaches 110% of calibrated range)	
ERROR INPUT	Input error condition	
*ERROR DZERO	Maths division by zero error	Cycle power and download configuration data. If the error occurs again, return the unit to the factory for service.
*ERROR CONFG	Configuration information bad	Cycle power to the unit, then run through the configuration menus to ensure that the technician made the correct sensor selections, range settings, etc.
WIRE 1 BROKE	Wire 1 broken	Check your system for a broken wire(s). Fasten any loose wiring; replace broken wires.
WIRE 2 BROKE	Wire 2 broken	
WIRE 3 BROKE	Wire 3 broken	
WIRES BROKE	Wire 4 broken or more than one wire broken	

*This will induce a "SPA² Failure" condition in a configured Fault Alarm.

Maintenance

Moore Industries recommends that the calibration of this instrument should be checked every year and re-calibrated only when necessary. In addition, we suggest a quick check for terminal tightness and general unit condition. Always adhere to any site requirements for programmed maintenance.

Serial Numbers

Moore Industries uses a system of model and serial numbers to keep track of all of the information on every unit it sells and services. If a problem occurs with your SPA2, check for a tag affixed to the unit listing these numbers. Supply the Customer Support representative with this information when calling.

Section 7: Specifications

SPA² HLP RG Specifications

<p>Performance Input Range: Current Input 0-50mA (1mA minimum span); Voltage Input 0-11V (250mV minimum)</p> <p>Input Accuracy and Alarm Trip Repeatability: Current inputs, ±2 microamps (0.01% of 20mA span); Voltage inputs, ±1mV (0.01% of max. span)</p> <p>Overall Accuracy: The overall accuracy of the unit is the combined input and output accuracies. It includes the combined effects of linearity, hysteresis, repeatability and adjustment resolution. It does not include ambient temperature effect.</p> <p>Stability: Refer to Table 1 (Table 7.1 section 7 of manual)</p> <p>Dead Band: 11.5V or 50mA, maximum in Linear Mode; equivalent of maximum input range in user-set engineering units in Scaling/Custom Mode</p> <p>Response Time: 256msec typical (Defined as the time from step change on input to alarm state change when alarm is set to trip at mid-point)</p> <p>Alarm Trip Delay: Programmable from 0-120 seconds</p> <p>Power Supply Effect: ±0.002% of span for a 1% change in line voltage (AC or DC)</p> <p>Isolation: 500Vrms between case, input, output (units with -AO option) and power, continuous.</p> <p>Dielectric Strength: Will withstand 1560Vrms for 2 seconds between input, output and power; 500Vrms for 2 seconds from case to input, output or power</p>	<p>Performance (continued) Power Supply: Universal 21.6-125Vdc or 90-260Vac;</p> <p>Power Consumption: 3.5W typical, 5.5W maximum</p> <p>Input Impedance: Current inputs, 20ohms; Voltage inputs, 1Mohm</p> <p>Input Over-Range Protection: Voltage inputs, ±30Vdc; Current inputs, ±100mA</p> <p>TX Power Supply: Open Circuit Voltage/Short-Circuit Current: 25.2V/42.5mA, Available Voltage: 17V @ 23.6mA</p> <p>Relay Outputs: Single-pole/double-throw (SPDT), 1 form C, rated 5A@250Vac, 50/60Hz or 24Vdc, non-inductive</p> <p>Performance with Analog Output (-AO Option) WITH ANALOG OUTPUT</p> <p>Output Accuracy: Current, ±0.01% of max. span (±2 microamps); Voltage, ±0.01% of maximum span (±1mV)</p> <p>Response Time: 256msec maximum (128msec typical) for the output to change from 10% to 90% of its scale for an input step change of 0 to 100%</p> <p>Ripple (up to 120Hz): Current output 10mVp-p when measured across a 250ohm resistor; Voltage output, 50mVp-p maximum</p> <p>Output Limiting:</p> <table border="1" data-bbox="771 1438 1015 1554"> <thead> <tr> <th>Output</th> <th>Failure Limits</th> </tr> </thead> <tbody> <tr> <td>0-20mA</td> <td>0, 23.6mA</td> </tr> <tr> <td>4-20mA</td> <td>3.6, 23.6mA</td> </tr> <tr> <td>X-20mA (0<X<4)</td> <td>(90% of X), 23.6mA</td> </tr> </tbody> </table> <p>Load Capability: Source mode (internal power supply), 0-1000 ohms</p> <p>Load Effect: ±0.01% of span from 0 to 1000 ohms</p> <p>Ambient Conditions Operating Range: -40°C to +85°C (-40°F to +185°F)</p> <p>Storage Range: -40°C to +85°C (-40°F to +185°F)</p>	Output	Failure Limits	0-20mA	0, 23.6mA	4-20mA	3.6, 23.6mA	X-20mA (0<X<4)	(90% of X), 23.6mA	<p>Ambient Conditions (continued) Ambient Temperature Effect: Input: Current, 2 microamps/°C; Voltage, 1mV/°C; Output: ±0.009% of max. span/°C</p> <p>Relative Humidity: 5-95% non-condensing</p> <p>RFI/EMI Protection: 80% AM at 1Khz 20V/m @ 20-1000Mhz per IEC61000-4-3.</p> <p>Noise Rejection: Common Mode, 100dB@50/60Hz Normal Mode, Current Input, 70dB typical@50mA_{p-p}@ 50/60Hz; Voltage Input, 70dB typical@1V_{p-p}@ 50/60Hz</p> <p>Adjustments Front panel pushbuttons parameter configurations; Internal jumper and menu password protect parameter settings</p> <p>Indicators LCD: 2x5 14-segment characters, backlit, alphanumeric readout accurate to the nearest digit.</p> <p>Range: -99999 to 99999; Decimal point can be user-set</p> <p>LED Type: INPUT LED: Dual color LED indicates input failure</p> <p>READY LED: Green LED indicates unit is operating properly</p> <p>ALARM 1, 2, 3 and 4 LED: Dual color LED per relay indicates alarm status</p> <p>Display Accuracy: ±1 digit; when scaling the display (or in Custom Mode), high input-to-display span ratios decrease display accuracy</p> <p>Weight 544 g to 618 g (19.2 oz to 21.8 oz)</p>
Output	Failure Limits									
0-20mA	0, 23.6mA									
4-20mA	3.6, 23.6mA									
X-20mA (0<X<4)	(90% of X), 23.6mA									

Specifications and information subject to change without notice.

Table 7.1. Long-Term Stability

Stability (% of maximum span)	Input-to-Output (Years)			Input-to-Relay (Years)		
	1	3	5	1	3	5
Current Inputs	0.081	0.14	0.18	0.047	0.81	0.105
Voltage Inputs	0.093	0.16	0.21	0.066	0.114	0.147

SPA² TPRG Specifications

<p>Performance</p> <p>Input Accuracy and Alarm Trip Repeatability: Refer to Table 4 (Table 7.5 section 7 of manual)</p> <p>Overall Accuracy: The overall accuracy of the unit is the combined input and output accuracies. It includes the combined effects of linearity, hysteresis, repeatability and adjustment resolution. It does not include ambient temperature effect. For T/C input, add the RJC error.</p> <p>Reference Junction Compensation Accuracy (T/C inputs only): ±0.45°C</p> <p>Stability: Refer to Table 1 (Table 7.1 section 7 of manual)</p> <p>Dead Band: User-set within selected input range; fully scalable and set in user-selected engineering units</p> <p>Input to Output Response Time: 256msec typical (Defined as the time from step change on input to alarm state change when alarm is set to trip mid-point)</p> <p>Alarm Trip Delay: Programmable from 0-120 seconds</p> <p>Power Supply Effect: ±0.002% of span for a 1% change in line voltage (AC or DC)</p> <p>Isolation: 500Vrms between case, input, output (units with -AO option) and power, continuous.</p> <p>Dielectric Strength: Will withstand 1560Vrms for 2 seconds between input, output and power; 500Vrms for 2 seconds from case to input, output or power.</p> <p>Power Supply: Universal 21.6-125Vdc or 90-260Vac</p>	<p>Performance (continued)</p> <p>Power Consumption: 3W typical, 3.5W maximum</p> <p>Input Impedance: T/C inputs, 40Mohms, nominal</p> <p>Input Over-Range Protection: ±5Vdc</p> <p>Excitation Current: (RTD and Ohms) 250 microamps, ±10%</p> <p>Relay Outputs: Single-pole/double-throw (SPDT), 1 form C, rated 5A@250Vac, 50/60Hz or 24Vdc, non-inductive</p> <p>WITH ANALOG OUTPUT</p> <p>Output Accuracy: ±0.01% of max. span (±2 microamps)</p> <p>Response Time: 256msec maximum (128msec typical) for the output to change from 10% to 90% of its scale for an input step change of 0 to 100%</p> <p>Ripple (up to 120Hz): Current output 10mVp-p when measured across a 250ohm resistor; Voltage output, 50mVp-p maximum.</p> <p>Output Limiting:</p> <table border="1"> <thead> <tr> <th>Output</th> <th>Failure Limits</th> </tr> </thead> <tbody> <tr> <td>0-20mA</td> <td>0, 23.6mA</td> </tr> <tr> <td>4-20mA</td> <td>3.6, 23.6mA</td> </tr> <tr> <td>X-20mA (0<X<4)</td> <td>(90% of X), 23.6mA</td> </tr> </tbody> </table> <p>Load Capability: Source mode (internal power supply), 0-1000 ohms</p> <p>Load Effect: ±0.01% of span from 0 to 1000 ohms</p> <p>Ambient Conditions</p> <p>Operating Range: -40°C to +85°C (-40°F to +185°F)</p> <p>Storage Range: -40°C to +85°C (-40°F to +185°F)</p> <p>Ambient Temperature Effect: Input, refer to Table 3 (Table 7.4 section 7 of manual); Output, ±0.009% of max. span/°C</p>	Output	Failure Limits	0-20mA	0, 23.6mA	4-20mA	3.6, 23.6mA	X-20mA (0<X<4)	(90% of X), 23.6mA	<p>Ambient Conditions (continued)</p> <p>Effect of Ambient Temperature on Reference Junction Compensation (T/C inputs only): ±0.005°C per °C change of ambient temperature</p> <p>Relative Humidity: 5-95% non-condensing</p> <p>RFI/EMI Protection: 80% AM at 1Khz 20V/m @ 20-1000Mhz per IEC61000-4-3</p> <p>Noise Rejection: Common Mode, 100dB@50/60Hz Normal Mode, refer to Table 2 (Table 7.3 section 7 of manual)</p> <p>Adjustments</p> <p>Front panel pushbuttons parameter configurations; Internal jumper and menu password protect parameter settings</p> <p>Indicators</p> <p>LCD: 2x5 14-segment characters, backlit, alphanumeric readout accurate to the nearest digit.</p> <p>Range: -99999 to 99999; Decimal point can be user-set</p> <p>LED Type: INPUT LED: Dual color LED indicates input failure READY LED: Green LED indicates unit is operating properly ALARM 1, 2, 3 and 4 LED: Dual color LED per relay indicates alarm status</p> <p>Display Accuracy: ±1 digit; when scaling the display (or in custom mode), high input-to-display span ratios decrease display accuracy</p> <p>Weight</p> <p>544 g to 601 g (19.2 oz to 21.2 oz)</p>
Output	Failure Limits									
0-20mA	0, 23.6mA									
4-20mA	3.6, 23.6mA									
X-20mA (0<X<4)	(90% of X), 23.6mA									

Specifications and information subject to change without notice.

Table 7.2. Long-Term Stability

Stability (% of maximum span)	Input-to-Output (Years)			Input-to-Relay (Years)		
	1	3	5	1	3	5
RTD, Ohm, & Pot Inputs	0.09	0.16	0.21	0.047	0.081	0.104
T/C & mV Inputs	0.08	0.14	0.18	0.008	0.014	0.019

Table 7.3. Normal Mode Rejection Ratio

Sensor Type	Max. p-p Voltage Injection for 100dB at 50/60Hz
T/C: J, K, N, C, E	150mV
T/C: T, R, S, B	80mV
Pt RTD: 100, 200, 300ohms	250mV
Pt RTD: 400, 500, 1000ohms	1V
Ni: 120ohms	500mV
Cu: 9.03ohms	100mV
Resistance	mV
1-4kohms	250-1000
0.25-1kohms	62.5-250
0.125-0.25kohms	31.25-62.5

Table 7.4. Ambient Temperature Effect

Accuracy per 1°C (1.8°F) change in Ambient	
*RTD	0.0035°C
Millivolt	0.5microvolts + 0.005% of reading
Ohm	0.002ohms + 0.005% of reading
Thermocouple	
Accuracy per 1°C (1.8°F) change in Ambient	
J	0.00016°C + 0.005% of reading
K	0.0002°C + 0.005% of reading
E	0.00026°C + 0.005% of reading
T	0.0001°C + 0.005% of reading
R, S	0.00075°C + 0.005% of reading
B	0.0038°C + 0.005% of reading
N	0.0003°C + 0.005% of reading
C	0.00043°C + 0.005% of reading
mV	0.5microvolts + 0.005% of reading

*Accuracy of Ni672 is 0.002°C

Table 7.5. Accuracy with RTD, Thermocouple, Ohms, Potentiometer, Millivolt Inputs and Four Terminal Dual/Triple Ranges

Input	Type	α	Ohms	Conformance Range	Minimum Span	Input Accuracy/ Repeatability	Maximum Range
RTD (2-, 3-, 4-Wire)	Platinum	0.003850	100	-200 to 850°C (-328 to 1562°F)	10°C (18°F)	±0.1°C (±0.18°F)	-240 to 960°C (-400 to 1760°F)
			200				
			300				
			400				
			500				
			1000				
			Dual 500				
			Dual 1000				
	Triple (2-Wire)	0.003902	100	-100 to 650°C (-148 to 1202°F)	10°C (18°F)	±0.1°C (±0.18°F)	-150 to 720°C (-238 to 1328°F)
			200				
			400				
			500				
			1000				
			Dual 500				
Dual 1000							
Dual (2-Wire, One 2-Wire and One 3-Wire)	0.003916	100	-200 to 510°C (-328 to 950°F)	10°C (18°F)	±0.1°C (±0.18°F)	-240 to 580°C (-400 to 1076°F)	
		Nickel	0.00672			120	-80 to 320°C (-112 to 608°F)
	Copper	0.00427	9.035	-50 to 250°C (-58 to 482°F)		±0.85°C (±1.53°F)	-65 to 280°C (-85 to 536°F)
Ohms	Direct Resistance	n/a	0-4000	0-4000ohms	10ohms	±0.4ohms	0-4095ohms
			Dual 0-4000				
	Potentiometer		4000 max.	0-100%	10%	±0.1%	0-100%
T/C	J	n/a	n/a	-180 to 760°C (-292 to 1400°F)	35°C (63°F)	±0.25°C (±0.45°F)	-210 to 770°C (-346 to 1418°F)
	K	n/a	n/a	-150 to 1370°C (-238 to 2498°F)	40°C (72°F)	±0.3°C (±0.54°F)	-270 to 1390°C (-454 to 2534°F)
	E	n/a	n/a	-170 to 1000°C (-274 to 1832°F)	35°C (63°F)	±0.2°C (±0.36°F)	-270 to 1013°C (-454 to 1855.4°F)
	T	n/a	n/a	-170 to 400°C (-274 to 752°F)	35°C (63°F)	±0.25°C (±0.45°F)	-270 to 407°C (-454 to 764.6°F)
	R	n/a	n/a	0 to 1760°C (32 to 3200°F)	50°C (90°F)	±0.55°C (±0.99°F)	-50 to 1786°C (-58 to 3246.8°F)
	S	n/a	n/a	0 to 1760°C (32 to 3200°F)	50°C (90°F)	±0.55°C (±0.99°F)	-50 to 1786°C (-58 to 3246.8°F)
	B	n/a	n/a	400 to 1820°C (752 to 3308°F)	75°C (135°F)	±0.75°C (±1.35°F)	200 to 1836°C (392 to 3336.8°F)
	N	n/a	n/a	-130 to 1300°C (-202 to 2372°F)	45°C (81°F)	±0.4°C (±0.72°F)	-270 to 1316°C (-454 to 2400.8°F)
	C	n/a	n/a	0 to 2300°C (32 to 4172°F)	100°C (180°F)	±0.8°C (±1.44°F)	0 to 2338°C (32 to 4240.4°F)
mV	DC	n/a	n/a	n/a	4mV	±30microvolts	-50 to 1000mV

Section 8: Ordering Information

Ordering Information

Unit	Input	Output	Power	Options	Housing
SPA2 Programmable Limit Alarm Trip	<p>HLPRG Programs to accept: Current: Any range between 0-50mA including: 0-20mA 4-20mA 10-50mA</p> <p>Voltage: Any range between 0-10Vdc including: 0-5Vdc 1-5Vdc 0-10Vdc</p> <p>TPRG Programs to accept (see Table 4 for details - (Table 7.5 section 7 of manual):</p> <p>RTD: 2-, 3- and 4-wire; platinum, copper, and nickel</p> <p>Thermocouple: J, K, E, T, R, S, B, N, C</p> <p>Ohms: 0-4000ohms (Potentiometer, 4000ohms maximum)</p> <p>Millivolts: -50 to +1000mV</p>	<p>2PRG Dual Relays (Relays are single-pole/double-throw (SPDT), 1 form C, rated 5A@250Vac, 50/60Hz or 24Vdc, non-inductive)</p> <p>4PRG Quad Relays (Relays are single-pole/double-throw (SPDT), 1 form C, rated 5A@250Vac, 50/60Hz or 24Vdc, non-inductive)</p> <p>Each relay individually configures for: High or Low Trip Normally Open or Normally Closed Failsafe or Non-Failsafe</p>	U Universal accepts any power input range of 21.6-325Vdc or 90-260Vac	<p>-AO Analog output (isolated and linearized) scaleable for any range between 0-20mA into 1000 ohms or 0-10V into 10 kohms (see "Specifications" for additional information)</p> <p>NOTE: Current output can be user-set for internal or external power (source or sink)</p> <p>-DPDT Relays are double-pole/double-throw (DPDT), 2 form C, rated 5A@250Vac, 50/60Hz or 24Vdc, non-inductive (2PRG output model only)</p> <p>-FMEDA Unit comes with Failure Modes, Effects and Diagnostic Analysis (FMEDA) data for evaluating the instrument for suitability of use in a safety-related application</p> <p>-VTD Standard Factory Calibration with NIST Test Data Report</p> <p>-EMP EMPHASIS Version with keyed terminals and locked firmware version</p>	<p>DIN DIN-style housing mounts on 35mm (EN50022) Top Hat DIN-rails</p> <p>FLB Flange mount bracket for wall mounting provides a secure mount for high vibration applications</p>

When ordering, specify: Unit / Input / Output / Power / Options [Housing]

Model number example: SPA² / TPRG / 2PRG / U / - AO [DIN]

Accessories

Each SPA² order comes with one copy of our Intelligent PC Configuration Software. Use the chart below to order additional parts.

Part Number 750-75E05-01	Intelligent PC Configuration Software (One copy provided free with each order)
Part Number 803-053-26	Serial Configuration Cable for use in connecting the SPA ² to a PC
Part Number 804-030-26	Fuse Protected, Non-Isolated USB Communication Cable

Warranty Disclaimer

Moore Industries ("The Company") makes no express, implied or statutory warranties (including any warranty of merchantability or of fitness for a particular purpose) with respect to any goods or services sold by the company. The company disclaims all warranties arising from any course of dealing or trade usage, and any buyer of goods or services from the company acknowledges that there are no warranties implied by custom or usage in the trade of the buyer and of the company, and that any prior dealings of the buyer with the company do not imply that the company warrants the goods or services in any way.

Any buyer of goods or services from the company agrees with the company that the sole and exclusive remedies for breach of any warranty concerning the goods or services shall be for the company, at its option, to repair or replace the goods or services or refund the purchase price. The company shall in no event be liable for any consequential or incidental damages even if the company fails in any attempt to remedy defects in the goods or services, but in such case the buyer shall be entitled to no more than a refund of all monies paid to the company by the buyer for purchase of the goods or services.

Any cause of action for breach of any warranty by the company shall be barred unless the company receives from the buyer a written notice of the alleged defect or breach within ten days from the earliest date on which the buyer could reasonably have discovered the alleged defect or breach, and no action for the breach of any warranty shall be commenced by the buyer any later than twelve months from the earliest date on which the buyer could reasonably have discovered the alleged defect or breach.

Return Policy

For a period of thirty-six (36) months from the date of shipment, and under normal conditions of use and service, Moore Industries ("The Company") will at its option replace, repair or refund the purchase price for any of its manufactured products found, upon return to the Company (transportation charges prepaid and otherwise in accordance with the return procedures established by The Company), to be defective in material or workmanship. This policy extends to the original Buyer only and not to Buyer's customers or the users of Buyer's products, unless Buyer is an engineering contractor in which case the policy shall extend to Buyer's immediate customer only. This policy shall not apply if the product has been subject to alteration, misuse, accident, neglect or improper application, installation, or operation. THE COMPANY SHALL IN NO EVENT BE LIABLE FOR ANY INCIDENTAL OR CONSEQUENTIAL DAMAGES.

To return equipment to Moore Industries for repair, follow these four steps:

1. Call Moore Industries and request a Returned Material Authorization (RMA) number.

Warranty Repair –

If you are unsure if your unit is still under warranty, we can use the unit's serial number to verify the warranty status for you over the phone. Be sure to include the RMA number on all documentation.

Non-Warranty Repair –

If your unit is out of warranty, be prepared to give us a Purchase Order number when you call. In most cases, we will be able to quote you the repair costs at that time. The repair price you are quoted will be a "Not To Exceed" price, which means that the actual repair costs may be less than the quote. Be sure to include the RMA number on all documentation.

2. Provide us with the following documentation:
 - a) A note listing the symptoms that indicate the unit needs repair
 - b) Complete shipping information for return of the equipment after repair
 - c) The name and phone number of the person to contact if questions arise at the factory
3. Use sufficient packing material and carefully pack the equipment in a sturdy shipping container.
4. Ship the equipment to the Moore Industries location nearest you.

The returned equipment will be inspected and tested at the factory. A Moore Industries representative will contact the person designated on your documentation if more information is needed. The repaired equipment, or its replacement, will be returned to you in accordance with the shipping instructions furnished in your documentation.



United States • info@miinet.com
Tel: (818) 894-7111 • FAX: (818) 891-2816
Australia • sales@mooreind.com.au
Tel: (02)8536-7200 • FAX: (02) 9525-7296

Demand Moore Reliability

www.miinet.com

BeNeLux • info@mooreind.eu
Tel: 03/448.10.18 • FAX: 03/440.17.97

China • sales@mooreind.sh.cn
Tel: 86-21-62491499 • FAX: 86-21-62490635
United Kingdom • sales@mooreind.com
Tel: 01293 514488 • FAX: 01293 387752